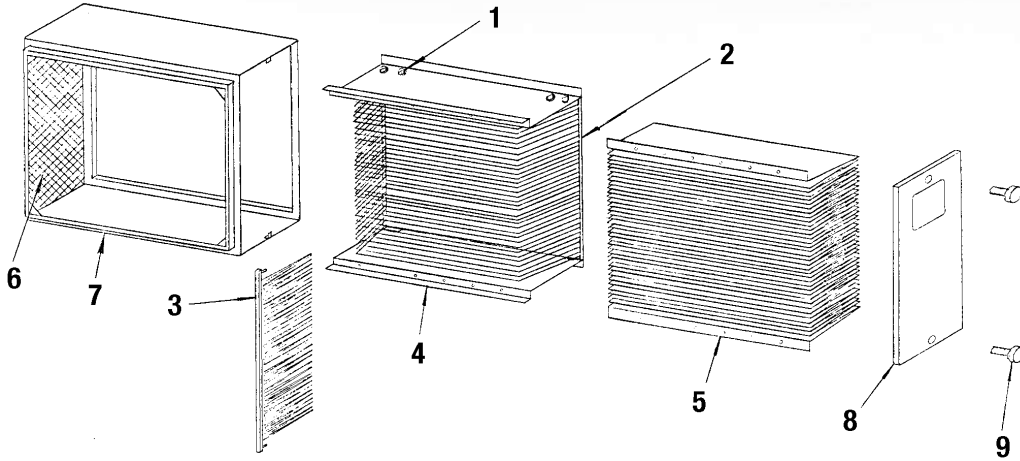


Air Cleaner Replacement Parts

Parts Price Schedule



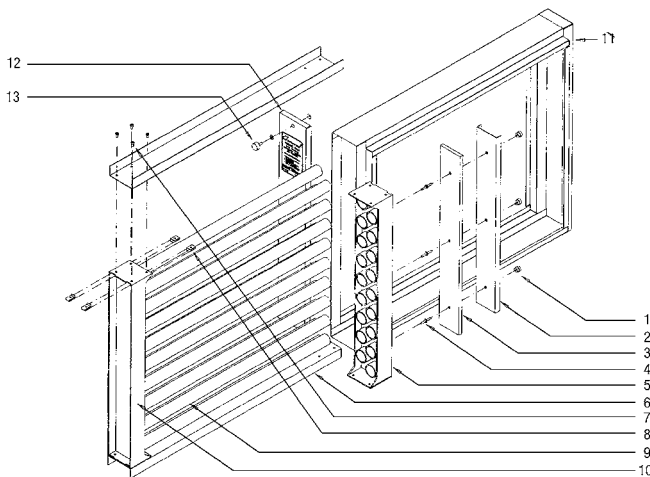
Model AC1



Item	Qty. Req'd	GFI Number	Description of Part	LIST / RETAIL
				PRICE EACH
1	8	4054	P178 Screw (8)	\$.50
2	1	4038	12751 Separator assembly	\$89.00
3	6	4003	12757 Pleat spacer	\$11.00
4	2	4037	12754 Side frame assembly (particulate)	\$24.00
5	1	4001	12758 Air cleaner media	\$50.65
6	1	4009	12762 Filter paper end seal kit	\$9.50
7	1	4053	12740 Air cleaner cabinet assembly	\$203.00

Item	Qty. Req'd	GFI Number	Description of Part	LIST / RETAIL
				PRICE EACH
8	1	4017	12769 Cover assembly	\$50.00
9	2	4008	12738 Thumb screw assembly Includes 12829 washer P186 push nut.	\$3.00
PARTS NOT SHOWN				
	1	4002	G99 Air Filter Gage	\$25.39
	1	4004	G99-14 Remote Mount Kit	\$12.84

Model AC2



Item	Qty. Req'd	GFI Number	Description of Part	LIST / RETAIL
				PRICE EACH
1-9	1	4102	12908 Adsorber carrier assembly complete	\$237.82
1	3	7043	1099-9 Thumbnut	\$2.00
2	1	4104	12912 Carrier end lid	\$14.82
3	1	4105	12911 Carrier end seal	\$4.50
4	3	4106	12599 Stud	\$.60
6	2	4108	12914 Side frame (Adsorber)	\$21.33
7	16	4109	P109 Screw (16)	\$.30
8	16	7140	40-7 Speed nut	\$.66
9	18	4111	12913 Adsorber Tube	\$11.00
11	1	4113	12901 Air cleaner cabinet	\$147.50
12	1	4114	12904 Cover assembly	\$33.33
13	2	4008	12738 Thumbscrew includes 12829 washer and P186 push nut	\$3.00

2% 10th Prox. Net 30 Days. F.O.B. Novi, Michigan

General Filters Inc. 43800 Grand River Novi, Michigan 48375-1115 Toll Free (866) 476-5101 Fax (248) 349-2366
www.GeneralAire.com