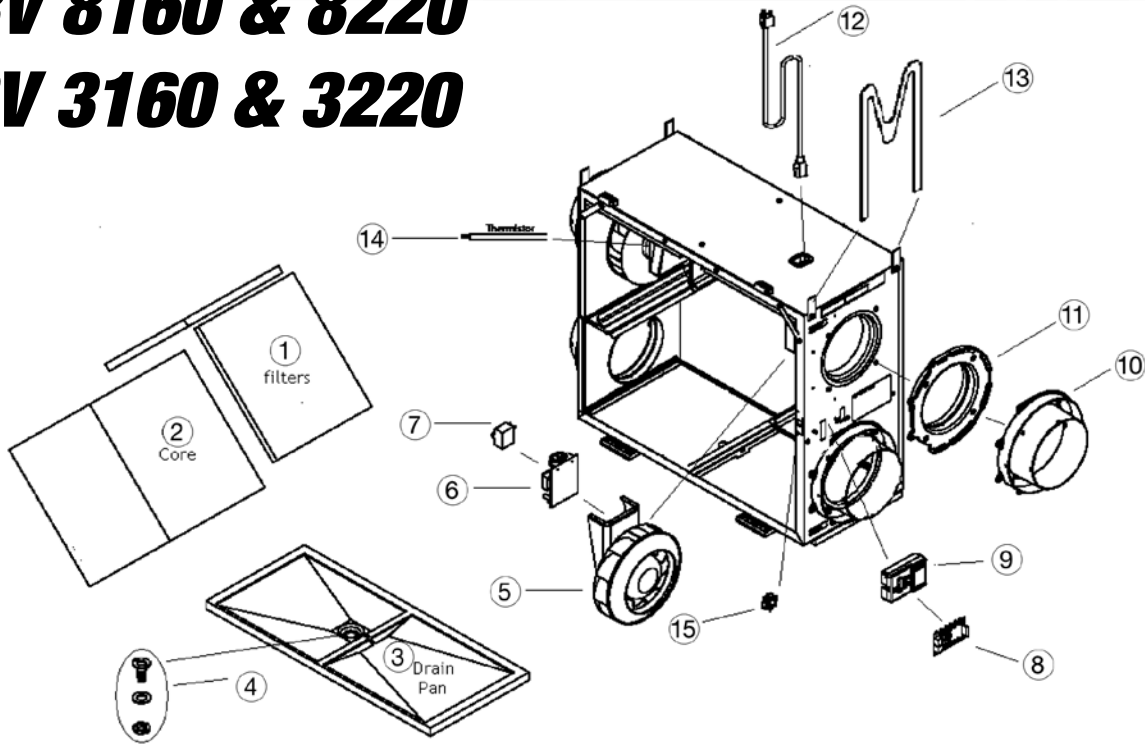


Recovery Ventilator Replacement Parts

Parts Price Schedule



HRV 8160 & 8220 ERV 3160 & 3220



Item	Qty. Req'd	GFI Number	Description of Part	LIST / RETAIL
				PRICE EACH
1	1	4663	100328 Filter Media Pads (HRV8160, ERV 3160)	\$50.80
	1	4667	100329 Filter Media Pads (HRV8220, ERV 3220)	\$54.60
2	1	4662	101789 Polypropylene core Assy. (HRV8160)	\$354.83
	1	4664	101788 Polypropylene core Assy. (HRV8220)	\$417.74
	1	4672	101791 Enthalpy Core Assy. (ERV3160)	\$890.17
	1	4674	101790 Enthalpy Core Assy. (ERV3220)	\$1,157.42
3	1	4668	101428 Drain Pan (HRV8160, ERV 3160)	\$167.68
	1	4669	101429 Drain Pan (HRV8220, ERV 3220)	\$193.49
4	1	4673	100770 Drain Fitting Kit (HRV 8160, 8220, ERV 3160,3220)	\$34.20
5	1	4677	101792 Blower Motor (HRV 8160, 8220, ERV 3160,3220)	\$470.40
6	1	4678	101787 Electronic Board, High Voltage (HRV 8160, 8220, ERV 3160,3220)	\$327.10
7	1	4679	101800 Capacitor (HRV 8160, 8220, ERV 3160,3220)	\$49.95
8	1	4681	101781 Electronci Board, Low Voltage (HRV 8160, 8220, ERV 3160,3220)	\$240.30
9	1	4682	100769 Duotrol Kit, box & Decals only (HRV 8160, 8220, ERV 3160,3220)	\$38.00
10	1	4683	101795 6" dia. Plastic, Dbl. Collar. Req's 101796 (HRV 8160, 8220, ERV 3160,3220)	\$36.80
11	1	4684	101796 6" dia. Plastic, Keeper. Req's 101795 (HRV 8160, 8220, ERV 3160,3220)	\$31.75
12	1	4686	101798 Power Coard. 18AWG, 60" SJT, CSA/UL (HRV 8160, 8220, ERV 3160,3220)	\$43.25
13	1	4687	101806 Adjustable Hanger Straps (HRV 8160, 8220, ERV 3160,3220)	\$73.50
14	1	4688	101802 Thermistor c/w Harness (Defrost Sensor) (HRV 8160, 8220, ERV 3160,3220)	\$90.80
15	1	4689	101804 Door Switch, SPST MPL (HRV 8160, 8220, ERV 3160,3220)	\$66.55

2% 10th Prox. Net 30 Days. F.O.B. Novi, Michigan

General Filters Inc. 43800 Grand River Novi, Michigan 48375-1115 Toll Free (866) 476-5101 Fax (248) 349-2366
www.GeneralAire.com