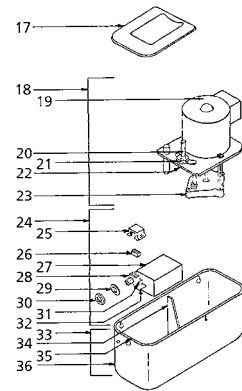
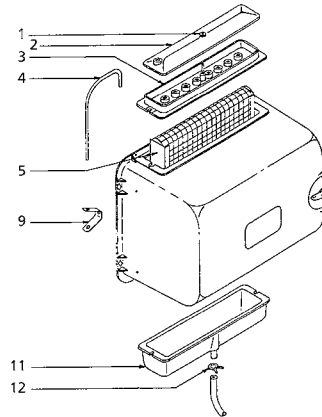
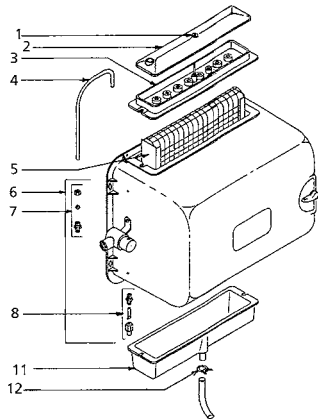


Humidifier Replacement Parts

Parts Price Schedule



Models 1040, 1040L, 1040LH and 1040R



Item	Qty. Req'd	GFI Number	Description of Part	LIST / RETAIL
				PRICE EACH
1	1	7043	1099-9 Thumb nut	\$2.00
2	1	7010	990-38A Distributor trough cover	\$15.93
3	1	7000	990-1A Distributor trough	\$24.07
4	1	7031	1040-12 Distributor tube	\$11.11
5	1	7002	990-13 Evaporator pad 9 3/4"W x 11 3/4"H	\$20.97
6	1	7013	990-52 Solenoid valve assembly -115V (for 1040)	\$126.32
	1	7014	990-53 Solenoid valve assembly -24V (for 1040 L/LH)	\$76.41
7		7158	P103,104,111 Connector fittings	\$2.50
8		7008	990-37-76 Orifice and strainer assembly (std. water pressure 40 - 120 psi)	\$6.45
		7009	990-37-75 Orifice and strainer assembly (low water pressure 20 - 40 psi)	\$6.45
9	1	6016	975-35 Distributor tube bracket	\$1.66
11	1	7001	990-2 Drain pan	NLA
12	2	7161	P131 Hose clamp (for 990-31)	\$0.67
17	1	6009	975-13 Left-hand lid assembly	\$8.50
18		6018	975-45 Pump, motor and lid assembly	\$185.00
19	1	6015	975-33 Motor	\$120.00
20	1	6014	975-29 Standpipe	\$14.66
21	1	6035	P116 Standpipe nut	\$0.75
22	1	6010	975-16 Right-hand lid assembly	\$18.33
23	1	6011	975-17 Pump housing - bottom	\$1.50
	1	6012	975-18 Pump housing - top	\$1.50
	1	6013	975-49 Impeller and impeller screw assembly	\$2.00
24		6007	975-10 Float valve assembly	\$24.20
25	1	6005	975-6 Valve shield	\$0.99
26	1	6004	975-1 Valve seat	\$0.50
27	1	7122	727-24 Orifice fitting	\$6.50

Item	Qty. Req'd	GFI Number	Description of Part	LIST / RETAIL
				PRICE EACH
28	1	6036	P117 Orifice washer	\$0.40
29	1	6001	975-3 Orifice nut	\$0.75
30	1	6026	P118 Cotter pin	\$0.95
31	1	7121	727-34 Float arm	\$5.00
32	1	7119	727-32 Float block	\$8.50
33	1	6008	975-48 Reservoir and baffle assembly	\$74.00
34	1	6020	975-12 Baffle	\$2.00
35	1	6022	975-28 Reservoir gasket	\$3.00
36	1	6021	975-11 Reservoir	\$70.37
PARTS NOT SHOWN				
	1	8022	800-UST Self-tapping saddle valve kit	\$11.00
	1	7118	727-58 24V transformer (1040-L/LH) 12VA	\$22.00
	1	6034	P115 Hose clamp (for 975-34)	\$0.50
	1	7005	990-17 Strainer	\$0.66
	2	7030	1040-7 Pad channel	\$5.93
	1	7015	M3 Humidistat (LH only)	\$42.00
	1	7029	1040-6 Inspection plate	\$2.83
	1	7033	1040-11 Parts bag	\$16.11
	1	8035	8035 Humidex tablets	\$12.00

Humidifier Replacement Parts

2% 10th Prox. Net 30 Days. F.O.B. Novi, Michigan

General Filters Inc. 43800 Grand River Novi, Michigan 48375-1115 Toll Free (866) 476-5101 Fax (248) 349-2366
www.GeneralAir.com