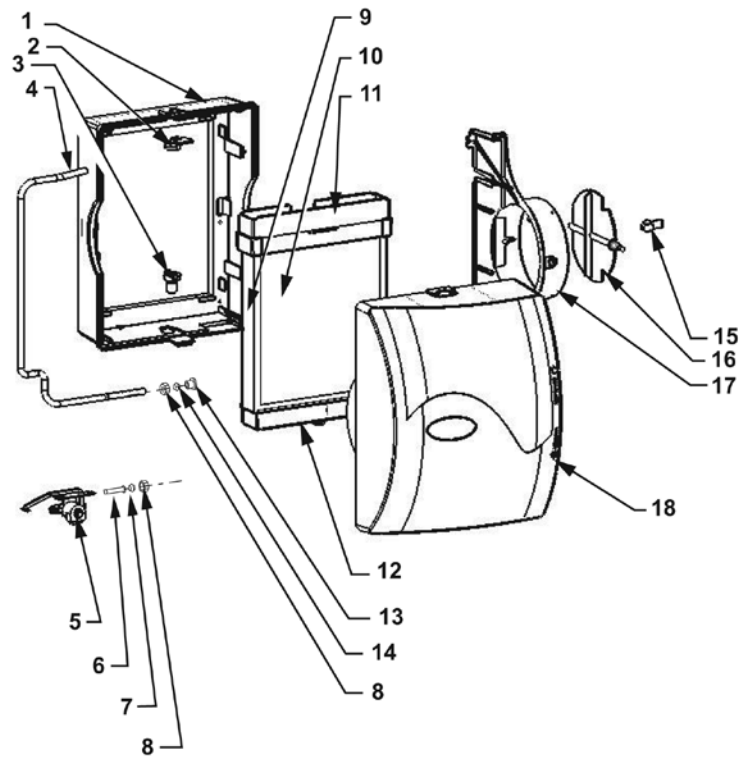


Humidifier Replacement Parts

Parts Price Schedule



Elite Model 570



Item	Qty. Req'd	GFI No.	Description of Part	LIST / RETAIL PRICE EACH
1	1	7560	570-1 Chasis	\$82.97
2	1	7561	900-9 Nozzle	\$3.30
3	1	7562	900-10 Spout	\$3.27
4	1	7591	GA4226 Distributor Tube	\$7.99
5	1	7221	GA4040 Solenoid Valve 24V	\$70.20
6	1	7564	GA4004 Strainer Screen	\$4.31
7	1	7566	P102 Compression Sleeve (copper)	\$4.20
		7568	P190 Compression Sleeve (plastic)	\$3.83
8	2	7565	P101 Compression Nut	\$4.20
9	2	7569	570-40 Pad Rail	\$4.53
10	1	7900	GA10 Vapor Pad	\$10.82

Item	Qty. Req'd	GFI No.	Description of Part	LIST / RETAIL PRICE EACH
11	1	7570	900-15 Distributor Trough	\$15.03
12	1	7571	900-14 Drain Pan	\$4.00
13	1	7580	GA4231 Orifice (Yellow)	\$1.43
14	1	7568	P190 Compression Sleeve	\$3.83
15	1	7572	900-11 Damper Knob	\$3.64
16	1	7573	900-28 Damper Disk	\$11.70
17	1	7574	570-2 Side Panel	\$85.36
18	1	7575	570-13 Cover	\$52.34

2% 10th Prox. Net 30 Days. F.O.B. Novi, Michigan

General Filters Inc. 43800 Grand River Novi, Michigan 48375-1115 Toll Free (866) 476-5101 Fax (248) 349-2366
www.GeneralAire.com