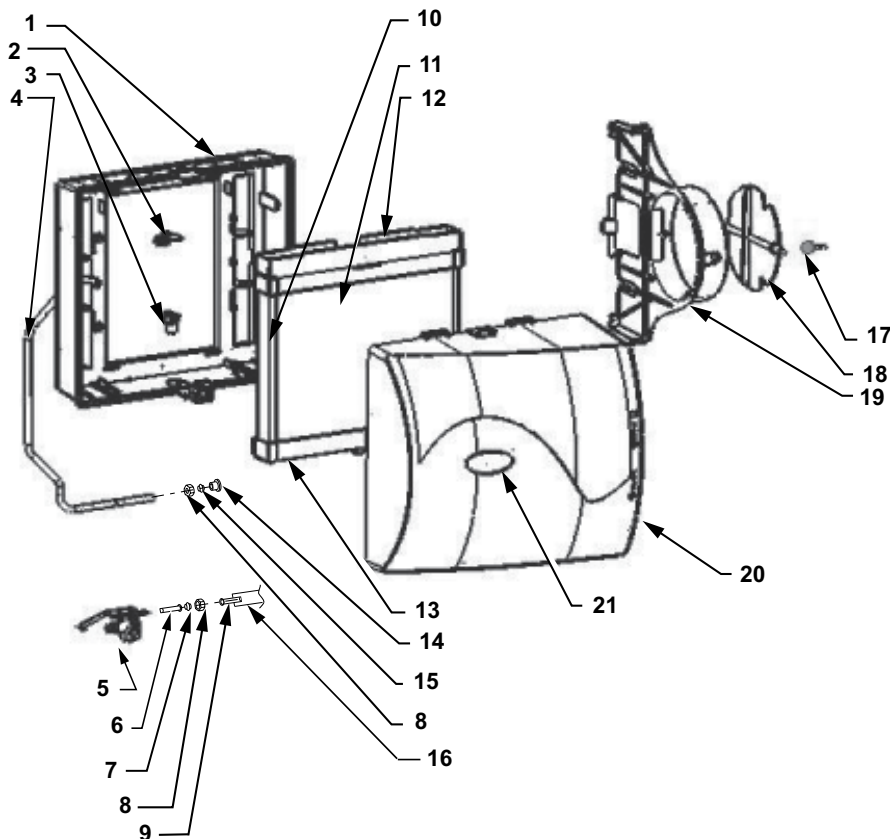


Humidifier Replacement Parts

Parts Price Schedule



Elite Model 950 / 1099LHS



Item	Qty. Req'd	Part No.	Description of Part	LIST / RETAIL PRICE EACH
1	1	7950	950-1 Chasis	\$95.99
2	1	7561	900-9 Nozzle	\$3.30
3	1	7562	900-10 Spout	\$3.27
4	1	7563	GA4235 Distributor Tube	\$9.97
5	1	7221	GA4040 Solenoid Valve 24V	\$70.20
6	1	7564	GA4004 Strainer Screen	\$4.31
7	1	7566	P102 Compression Sleeve (copper)	\$4.20
		7568	P190 Compression Sleeve (plastic)	\$3.83
8	2	7565	P101 Compression Nut	\$4.20
9	1	7567	P189 Brass Insert Tube	\$3.83
10	2	7941	900-40 Pad Rail	\$4.53

Item	Qty. Req'd	GFI No.	Description of Part	LIST / RETAIL PRICE EACH
11	1	7923	GA23 Vapor Pad	\$13.26
12	1	7955	950-15 Distributor Trough	\$17.69
13	1	7942	950-14 Drain Pan	\$4.42
14	1	7581	GA4299 Orifice (Orange)	\$1.53
15	1	7568	P190 Compression Sleeve	\$3.83
16	1	7078	747-38 Tubing Kit (Available)	\$11.00
17	1	7572	900-11 Damper Knob	\$3.64
18	1	7943	950-5 Damper Disk	\$21.00
19	1	7944	950-2 Side Panel	\$98.82
20	1	7945	950-13 Cover	\$60.62
21	1	7578	900-16 Name Plate	\$10.00

2% 10th Prox. Net 30 Days. F.O.B. Novi, Michigan

General Filters Inc. 43800 Grand River Novi, Michigan 48375-1115 Toll Free (866) 476-5101 Fax (248) 349-2366
www.GeneralAire.com

Humidifier Replacement Parts