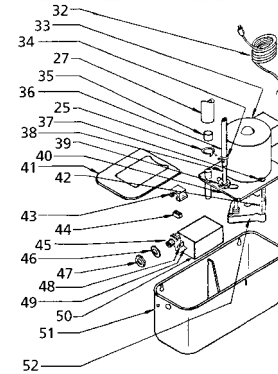
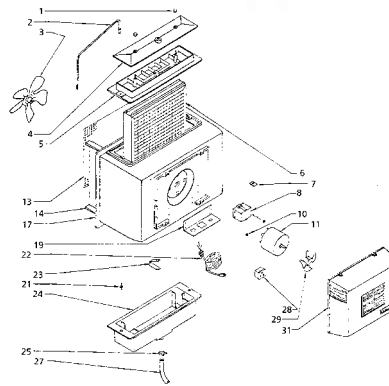
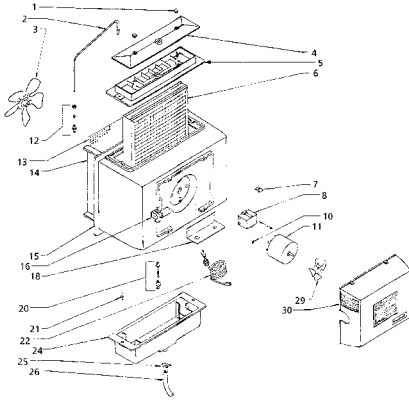


# Humidifier Replacement Parts

## Parts Price Schedule



# Models 1137 and 1137R



Item	Qty. Req'd	GFI Number	Description of Part	LIST / RETAIL PRICE EACH
1	6	7043	1099-9 Thumb nut	\$2.00
2	1	7330	1137-24 Distributor tube	\$14.83
3	1	7331	1137-9 Fan blade	\$17.33
4	1	7332	1137-35 Trough cover assembly	\$12.50
5	1	7333	1137-4 Distributor trough	\$28.00
6	1	7002	990-13 Evaporator pad 9-3/4"W x 11-3/4"H	\$20.97
7	8	7140	40-7 Speed nut	\$.66
8	1	7586	GA4238 Relay Circuit Board	\$64.36
10	4	7336	1137-44 Fan motor grommet	\$.90
11	1	7337	1137-8 Fan motor	\$111.55
12	1	7158	P103, 104, 111 Connector & fittings	\$2.50
13	1	7338	1137-20 Fan guard	\$11.33
14	1	7339	1137-2 Fan shroud	\$33.50
15	1	7340	1137-38 Cabinet assembly, 1137	\$92.00
16	1	7341	1137-17 Solenoid valve assembly	\$96.42
17	1	7342	1137-37 Cabinet assembly, 1137-R	\$92.00
18	1	7343	1137-7 Wiring bracket	\$7.00
19	1	7344	1137-7R Wiring bracket	\$7.00
20		7008	990-37-76 Orifice and strainer assembly (std. water pressure 40 - 120 psi)	\$6.45
		7009	990-37-75 Orifice and strainer assembly (low water pressure 20 - 40 psi)	\$6.45
21	4	7345	1137-15 Mounting stud	\$.82
22	1	7346	1137-31 Power supply cord	\$15.00
23	1	6016	975-35 Distributor tube bracket	\$1.66
24	1	7347	1137-3 Drain pan	\$30.00
25		7162	P163 Hose clamp (for 1099-16)	\$.75
26		7046	1099-16 Drain tube (15' of 5/8" I.D.)	\$20.00
27		7348	1137-48 Drain tube (2-1/2' of 5/8" I.D.)	\$4.50
28	1	7349	1137-18 Outlet assembly	\$7.00
29	1	7350	1137-50 Cooling fan	\$9.45
30	1	7351	1137-39 Front cover assembly, 1137	\$34.50
31	1	7352	1137-43 Front cover assembly, 1137-R	\$34.50

Item	Qty. Req'd	GFI Number	Description of Part	LIST / RETAIL PRICE EACH
		7327	1137-75 Pump, motor & lid assembly	\$197.33
32	1	7353	1137-21 Pump motor assembly	\$128.50
		7354	1137-32 Power supply cord	\$15.00
33	1	6015	975-33 Pump motor	\$120.00
34	2	6034	P115 Hose clamp (for 975-34)	\$.50
35	1	7055	1099-43 Drain tube adapter	\$.82
36		6019	975-34 Water supply tubing (4' of 5/16" I.D. R model only)	\$3.66
37	3	6033	P120 Motor mount grommet	\$.95
38	1	6014	975-29 Standpipe	\$14.66
39	1	6035	P116 Standpipe nut	\$.75
40	1	6010	975-16 R.H. lid assembly	\$18.33
41	1	7355	1137-40 L.H. lid assembly	\$8.82
42	3	6017	975-41 Pump mounting stud	\$6.00
		6007	975-10 Float valve assembly	\$24.20
43	1	6005	975-6 Valve shield	\$.99
44	1	6004	975-1 Valve seat	\$.50
45	1	7122	727-24 Orifice fitting	\$6.50
46	1	6036	P117 Orifice washer	\$.40
47	1	6001	975-3 Orifice nut	\$.75
48	1	6026	P118 Cotter pin	\$.95
49	1	7121	727-34 Float arm	\$5.00
50	1	7119	727-32 Float block	\$8.50
51		6008	975-48 Reservoir and baffle assembly	\$74.00
		6020	975-12 Reservoir baffle	\$2.00
52	1	6011	975-17 Pump housing - bottom	\$1.50
	1	6012	975-18 Pump housing - top	\$1.50
	1	6013	975-49 Impeller and impeller screw	\$2.00
<b>PARTS NOT SHOWN</b>				
	1	8022	800-UST Self-tapping saddle valve kit	\$11.00
	1	7015	M3 Humidistat	\$42.00
		7328	1137-23 Parts bag	\$28.00
	1	7127	727-48 Lead wire assembly (10' of low voltage wire w/Terminals)	\$8.82
		8035	8035 Humidex tablets	\$12.00

2% 10th Prox. Net 30 Days. F.O.B. Novi, Michigan

General Filters Inc. 43800 Grand River Novi, Michigan 48375-1115 Toll Free (866) 476-5101 Fax (248) 349-2366  
www.GeneralAire.com

Humidifier Replacement Parts