

Model 1137

Legacy Series Humidifier
Residential Whole-House (GFI #5137)



Breathe Healthier

Control Indoor Humidity.

Installing a GeneralAire® Whole House Humidifier can reduce allergy and asthma symptoms, minimize risk of infection, protect valuables (such as furniture, woodwork and musical instruments) and save you money.



How the 1137 Works:

A fan inside your GeneralAire® 1137 Elite Series Flow Through Humidifier pulls warm air from your furnace through the water-soaked Vapor Pad®, where it absorbs additional moisture. The moistened air then returns for distribution throughout your home via your home's duct system.

Details inside or go to: www.generalfilters.com/model1137

Install a humidifier in your home to:

Protect your family's health:

Low humidity is where viruses can thrive and cause your throat and nasal passages to dry. This leads to nose bleeds, increased risk of infection, colds, flu and other respiratory ailments. Dry air can trigger asthma and allergy symptoms. Air that's too dry causes dry/itchy/cracked skin.

Protect Your Valuables:

Dry air in your home can cause expensive artwork, wood flooring, cabinets, furniture and musical instruments to crack. Dry air increases annoying static shocks that can damage electronics.

Save money:

Since dry air can cause woodwork to crack, resulting gaps in windows & doors let cold outside air in. In addition, dry air feels colder. Take the chill out with a 1137. Turn your thermostat down and save money.

Manufacturers of Whole House Residential Indoor Air Quality Products.
Humidifiers - Dehumidifiers - Air Cleaners - UV Air Purifiers - Heat/Energy Recovery Ventilators

www.generalfilters.com



Model 1137

Legacy Series Humidifier Residential Whole-House (GFI #5137)



WebREPS
800-810-3280

Why Whole-House Humidification Vs Portable Room Units?

See the top reasons below why a whole-house humidifier is a better option for your home than a portable room unit:

	GeneralAire® Model 1137 Whole House Humidifier	Portable Humidifier Units
Controls humidity in every room of your house	Yes. You will benefit from proper humidification throughout your home.	No. You'll need to purchase a unit for every room in your house.
Quiet Operation	Yes. Your system will be so quiet you'll forget it's there.	No. Portable units are noisy and take up space in your rooms.
Minimal Maintenance	Yes. Maintenance is only one time per year!	No. You'll need to constantly be re-filling and cleaning water pans.

Selecting a Humidifier

Considerations for selecting a whole house humidifier can include:

1. Size of your home
2. Number Of HVAC systems in your home
3. Type of humidification preferred
4. Maintenance requirements
5. Age of your home
6. Your climate
7. Cost to operate
8. Home building / woodwork projects

We recommend speaking with a licensed contractor for assistance with your humidifier selection and installation. Use our "Find a Contractor" tool on www.generalfilters.com for a list of contractors in your area.

Ideal Humidity Level

Research has shown that 40% to 60% relative humidity provides a comfortable and healthy environment for your woodwork, furniture, plants, your pets and especially you and your family.

How Much Humidity Do I Need?

Calculate the Total Cubic Feet of Home

Total Home Square Footage X Average Ceiling Height
(Include the basement)

Calculate the Load (lbs/hr)

Total Cubic Feet X Desired Condition Factor
(Table Below)
X 1.05 For Each Fireplace

Calculate Gallons Per Day (GPD)

Gallons Per Day = Load (lbs/hr) X 2.88

Indoor Air Temp °F	Indoor RH%			
	35%	40%	45%	50%
68	0.00015	0.00018	0.00021	0.00024
70	0.00017	0.00020	0.00023	0.00026
72	0.00019	0.00022	0.00025	0.00028



Use the Humidification Calculator on our website to assist you in selecting the right humidifier for your home.

www.generalfilters.com/humiditycalculator



Model 1137

Legacy Series Humidifier Residential Whole-House (GFI #5137)

Quiet Operation

- You'll forget it's there!

Cover Removal Screws

- Remove screws, lift off water distribution tube and trough to replace Vapor Pad®.

Optimal Installation Option

- Mounts on warm air plenum for maximum humidification results.



9 1/2" High

Water Distribution Trough

- Distributes water throughout Vapor Pad®.

10" Deep

Cover

- Made with DuraPlast®, an ultra-violet stable automotive-grade plastic for long-lasting durability.

15" Wide

Water Intake Valve

- Brings water into the water distribution trough.

Drain Pan

Reliable

- Durable motor includes oil ports to oil your motor once per year, enhancing the performance and life of your 1137 humidifier.

24 Volt Low Voltage Wiring

Water Drain Tube

- Water is automatically drains from your humidifier.

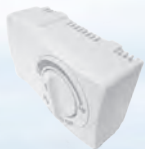
Included

MHX3C Manual Humidistat
Included with Your 1137

Easy-to-Use Dial

Simply turn the dial to the desired humidity level for your comfort.
Mount on Wall or Duct.

Contemporary Design



Maintenance

Maintenance of your new GeneralAire® 1137 Legacy Series Flow Through Humidifier is minimal. To ensure peak performance and reliable operation, simply change your Vapor Pad® once per year! Go to www.generalfilters.com / support center / video library to watch a video demonstrating how to perform maintenance on your 1137.


Date of Installation: _____

Contractor's Contact Information:


WebREPS
800-810-3280

Model 1137

Legacy Series Humidifier Residential Whole-House (GFI #5137)

Model 1137 Specifications	
Gallons Per Day	18
Home Size	Up to 3,000 Sq. Ft.
Type	Flow Through Vapor Pad®
Unit Dimensions	16" W x 14" H x 10" D
Weight	13 Lbs.
Plenum Opening	15" W x 9 1/2" H
Operation	Water Evaporation Via Furnace Heat & Fan
Valve	Saddle Valve & Solenoid Valve
Vapor Pad®	990-13 GFI # 7002 (Replace Once Per Year)
Pallet Quantity	30
Mounting	Warm Air Plenum
Warranty	Five Years 

1137 Performance Baseline Criteria	
Outside Design Temp	0° F (-18° C)
Outside Design RH	70%
Inside Design Temp	70° F (21° C)
Inside Design RH	30%
Ceiling Height	8'
Plenum Temperature	120° F (49° C)
Loose (.75 ACH)	1175 Sq. Ft.
Average (.50 ACH)	1770 Sq. Ft.
Tight (.30 ACH)	3000 Sq. Ft.
<ul style="list-style-type: none"> • Test results are from cold water application • GPD shown is at 120° Plenum Temperature • Performance assumes 8 hour average furnace run time in 24-hour period. 	

Series Model No.	GPD	House Construction Quality		
		Loose (.75ACH)	Average (.50ACH)	Tight (.30ACH)
1042LH	17	800	1500	2800
1099LHS	19	1175	1770	3000
1137	18	1175	1770	3000
SL16	17	800	1500	2800

Inside the Box

- Model 1137 Legacy Humidifier
- Warranty Card
- Installation Manual
- Duct Cutout Template
- Evaporator Pad
- Humidistat Wire
- 15' 5/8" Diameter Drain Hose
- Water Tube Kit
- Metal Distributor Tube
- Parts Bag With Sheet Metal Screws & Saddle Valve
- Power Supply Cord
- Drain Pan
- Water Distribution Trough
- MHX3 Manual Control, Duct Mount Humidistat. (Order part number #7053 to mount on wall.)




WebREPS
800-810-3280

Purchase replacement parts from your local wholesaler, a licensed contractor or from our website:
www.generalfilters.com/shop-iaq-parts.html



www.generalfilters.com



Our Other Brands



Last Updated: 2-2015



Canadian General Filters, Ltd.
400 Midwest Rd.
Toronto, ON M1P3A9 Canada
Toll Free: (888) 216-9184
www.cgfproducts.com



General Filters, Inc.
43800 Grand River Avenue
Novi, Michigan 48375
Toll Free: (866) 476-5101
www.generalaire.com

GeneralAire® Humidifier Model 1137

Spec Sheet

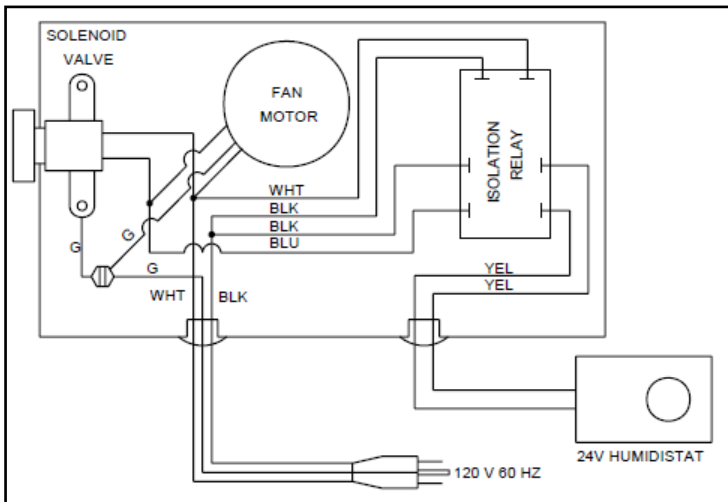
Specifications:

- **Model:** 1137 Legacy Flow Through Humidifier (GFI #5137)
- **Type:** Fan Powered Flow Through
- **GPD:** 18 Based on 120° Plenum Temperature
- **Warranty:** 5 Years
- **Replacement Vapor Pad®:** 990-13 (GFI#7002)
(Replace 1-2 times per season)
- **Dimensions:** 16" W x 14" H x 10" D
- **Weight:** 19 Lbs.
- **Home Size:** To 3,000 Sq. Ft.
- **Installation:** Warm Air Plenum
- **Plenum Opening:** 15" W X 9.5" H
- **Bypass Duct:** 6"
- **Pallet Qty:** 21
- **Cabinet Construction:** DuraPlast® Ultra-Violet Stable Automotive Grade Plastic
- **Humidistat:** Models: MHX3C (Included)
- **In Box:** Humidifier, humidistat, Installation Instructions, Vapor Pad®, Parts Kit, Water Tube Kit, Humidistat Wire, Drain Pan, Power Supply Cord, Water Distribution Trough.
- **Voltage:** 120V



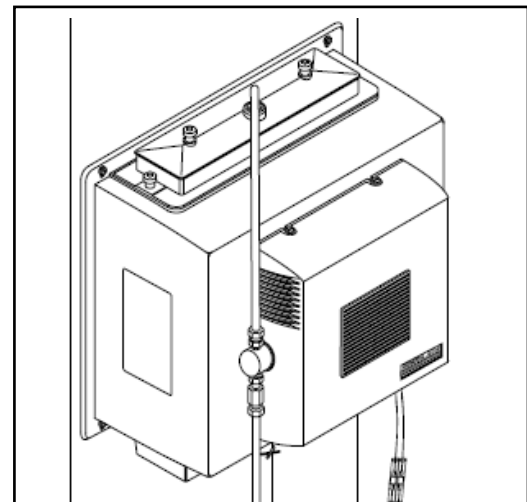
MHX3C
Manual Humidistat
GFI #7038
Included

Wiring Illustration



The humidifier is connected to the 120V AC circuit through a control relay. The secondary coil of an isolation transformer, a diode and resistor supply 5-10 volts DC for the control circuit which also includes the humidistat and relay coil. When the control circuit is completed by the humidistat, the relay closes, supplying 120 volts to the fan motor and solenoid valve.

Typical Installation



1137 Installed on the warm air plenum.

GeneralAire® Humidifier Model 1137

Spec Sheet

Expected Humidity Performance Coverage in Sq. Ft. Based on Construction Type:

Model No.	GPD	Loose (0.75 AC/H)	Average (0.50 AC/H)	Tight (0.30 A/CH)
1042LH	17	800 Sq. Ft.	1500 Sq. Ft.	2800 Sq. Ft.
1099LHS	19	1175 Sq. Ft.	1770 Sq. Ft.	3000 Sq. Ft.
1137	18	1175 Sq. Ft.	1770 Sq. Ft.	3000 Sq. Ft.
SL16	17	800 Sq. Ft.	1500 Sq. Ft.	2800 Sq. Ft.

Go to www.generalaire.com / support center / humidification calculator to assist in humidifier selection.

Humidifier Performance Baseline Criteria

Outside Design Temp.	0°F (-18°C)
Outside Design R.H.	70% R.H.
Inside Design Temp.	70°F (21°C)
Inside Design R.H.	30% R.H.
Air Changes / Hour (AC/H)	0.30
Ceiling Height	8 ft.
Furnace Plenum Temp.	120°F (49°C)
Furnace Run Time for Calculating Sq. Ft.	8 Hr. / Day

Recommended Settings:

At Outside Temperature		Recommended Setting
-20°F	-29°C	15%
-10°F	-23°C	20%
0°F	-18°C	25%
10°F	-12°C	30%
20°F	-7°C	35%
30°F	-1°C	40%


WebREPS
800-810-3280

General Filters, Inc.
43800 Grand River Avenue
Novi, MI 48375
Toll Free: (866) 476-5101

www.generalaire.com


Fresh Indoor Air Quality