



MODEL V

SIDEWALL SUPPLY GRILLES & REGISTERS
ALUMINUM - SINGLE DEFLECTION

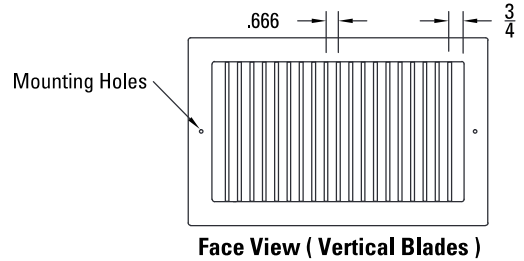
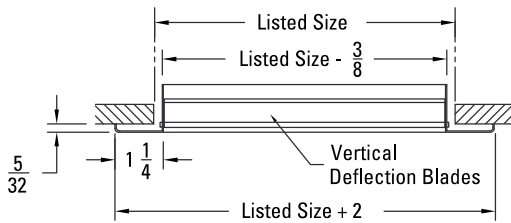
Project: _____
 Tag: _____
 Engineer: _____
 Contractor: _____
 Date: _____

MODELS

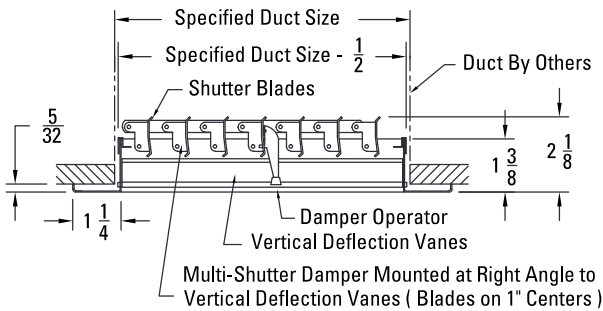
- V-1:** Single Deflection Grille - Vertical Blades
- VM-1:** Single Deflection Register - w/ MS Damper

- V-1 OBD:** Single Deflection Register - w/ Opposed Blade Damper

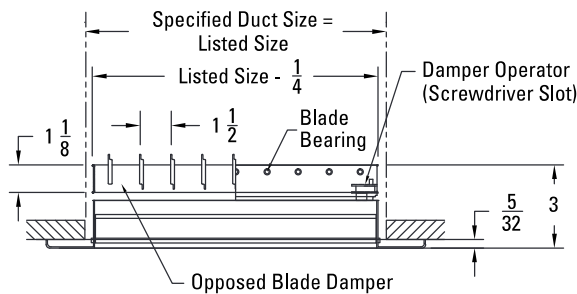
Model: V-1 (Single Deflection Grille - Vertical Blades)



Model: VM-1 (Single Deflection Register - With Multi-Shutter Damper)



Option: V-1 OBD (With OBD Steel Opposed Blade Damper)



Available Sizes	
8 x 4	12 x 8
8 x 6	14 x 4
10 x 4	14 x 6
10 x 6	14 x 8
10 x 8	
12 x 4	
12 x 6	

All Dimensions are in Inches.

1. Available Finishes	2. Available Accessories	3. Available Options	4. Construction Details
Standard Finish: <input type="checkbox"/> 01 White Optional Finish (no extra charge): <input type="checkbox"/> 24 Mill Finish	<input type="checkbox"/> OBD - Steel Opposed Blade Damper		<ul style="list-style-type: none"> • Sizes Available Only as Listed. • Aluminum Construction. • Border is One-Piece Construction.

As part of our continuous improvement program, we reserve the right to make further improvements without notice.

Submission - V - 0320