

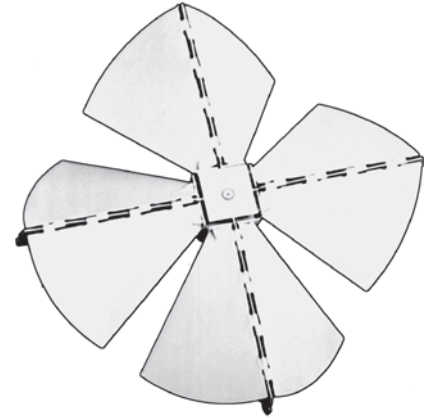
SUBMITTAL SHEET



N° N4

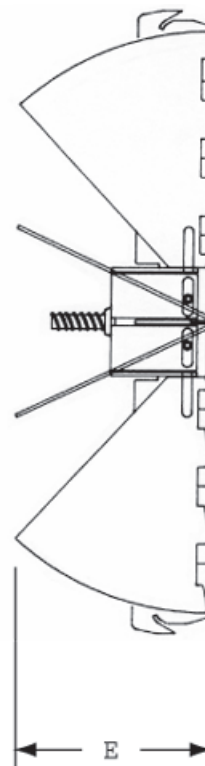
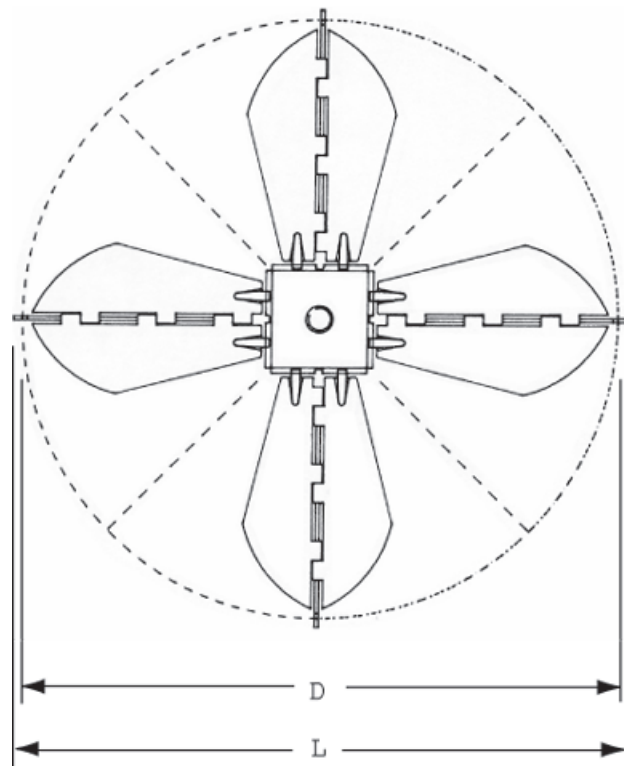
Round Opposed Blade Damper

Material: All galvanized steel.
Finish: Mill finish standard.
Mounting: Round collar of diffuser.



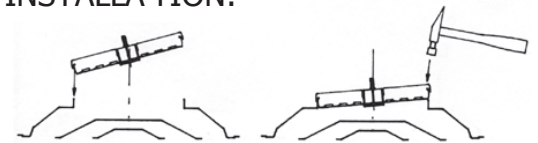
N4

8" shown here



VERTICAL OPERATOR ACCEPTS STANDARD SCREWDRIVER FOR SLOTTED OR HEX HEAD THRU DIFFUSER FACE

INSTALLATION:



✓	Model #	Nom. Size	Overall Dimensions		
			Blade (D)	Brace (L)	Depth (E)
	N4 06	6"	5 3/4"	6"	2 3/8"
	N4 08	8"	7 3/4"	8"	3 1/8"
	N4 10	10"	9 3/4"	10"	3 3/4"
	N4 12	12"	11 3/4"	12"	4 1/2"
	N4 14	14"	13 3/4"	14"	5 1/4"

Job: _____

Architect: _____

Engineer: _____

Contractor: _____