

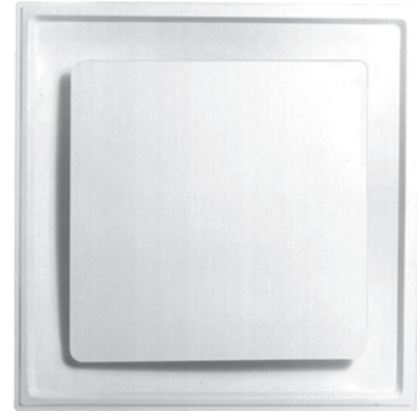
SUBMITTAL SHEET



Nº ISO

Square Panel Diffuser - Architectural Line Four-way pattern

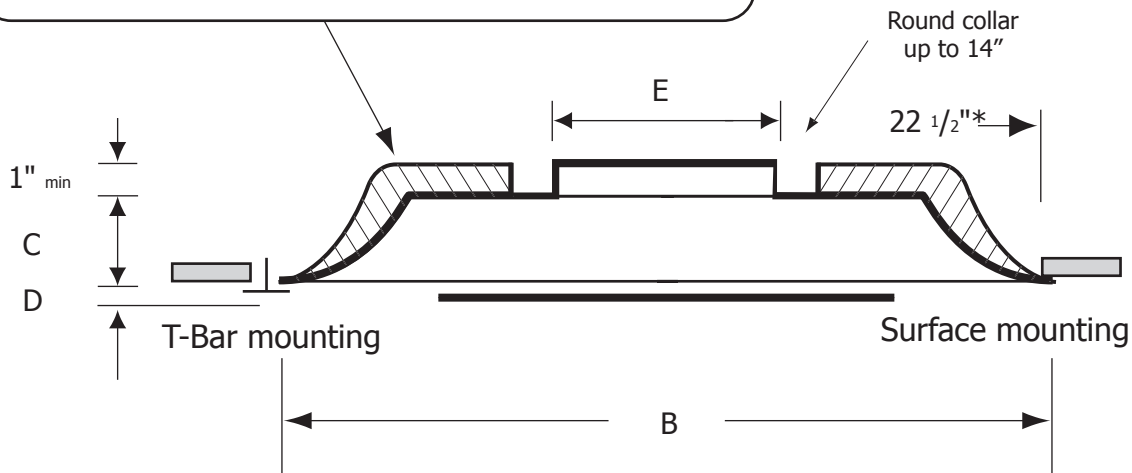
- Material:** Stamped heavy gauge steel.
Finish: Powder paint coating - white.
Mounting: Surface or Lay-in T-bar ceiling.
Air Pattern: Fixed horizontal 360° diffusion.
Core Removal: (ISO-R only) Unlock hanger brackets by swiveling lever down. Holding core panel at opposite sides, push upwards, then turn clockwise and drop core free from back plenum.



Optional fiberglass insulation on back panel, complies with A.S.T.M. E84 flame and smoke test. (Available only on models with 24" x 24" face)

- R2 (fit to collar) R4 (fit to collar) R6

- ISOR** Removable Core
 ISON Non removable Core



* 10.5" for 12 X 12 face



✓	Model #	Duct Size	E	Face Dim B x B	C	D
	ISO 1206	6	5 7/8"	11 3/4" x 11 3/4"	1 3/4"	7/16"
	ISO 1208	8	7 7/8"	11 3/4" x 11 3/4"	1 3/4"	7/16"
	ISO 2406	6	5 7/8"	23 3/4" x 23 3/4"	2 7/8"	7/8"
	ISO 2408	8	7 7/8"	23 3/4" x 23 3/4"	2 7/8"	7/8"
	ISO 2410	10	9 7/8"	23 3/4" x 23 3/4"	2 7/8"	7/8"
	ISO 2412	12	11 7/8"	23 3/4" x 23 3/4"	2 7/8"	7/8"
	ISO 2414	14	13 7/8"	23 3/4" x 23 3/4"	2 7/8"	7/8"

Job: _____

Architect: _____

Engineer: _____

Contractor: _____
