

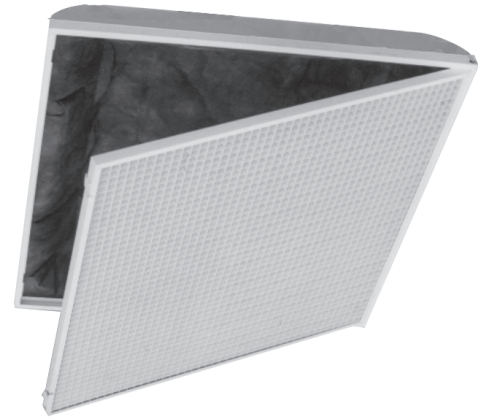
# SUBMITTAL SHEET



N° ERIF

## Aluminum Egg Crate Filter Return with Molded Fiberglass Back Panel Hinged face

- Material:** Molded fiberglass back with aluminum foil vapor barrier scored for 6" to 14" D. in an extruded aluminum fixed frame. Aluminum grid 1/2"x1/2"x1/2" in hinged extruded aluminum U frame, swing in and out of fixed frame for access to 20"x20" filter, by others.
- Finish:** Powder paint coating - white.
- Mounting:** T-bar Lay-in ceiling.

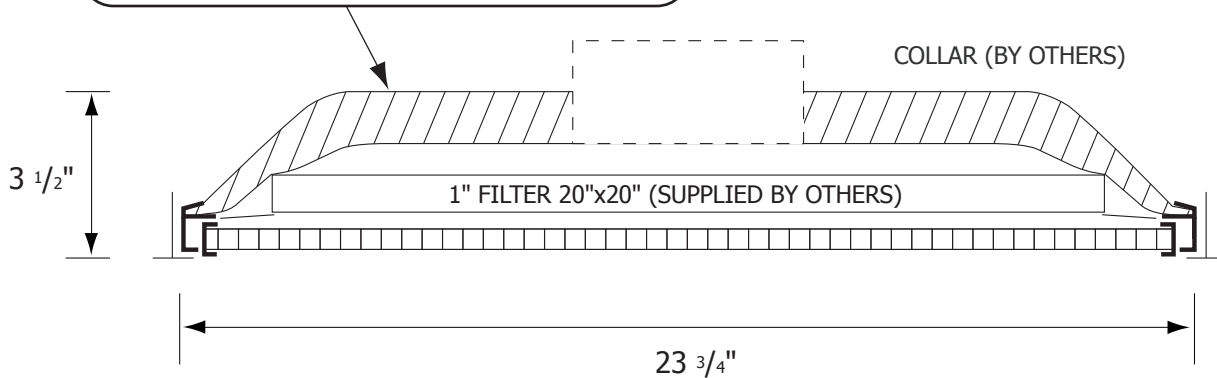


**ERIF**

Fiberglass back complies with A.S.T.M. E84 flame and smoke test. Scored for collar sizes up to 14" D.

R4

R6



Job: \_\_\_\_\_

Architect: \_\_\_\_\_

Engineer: \_\_\_\_\_

Contractor: \_\_\_\_\_