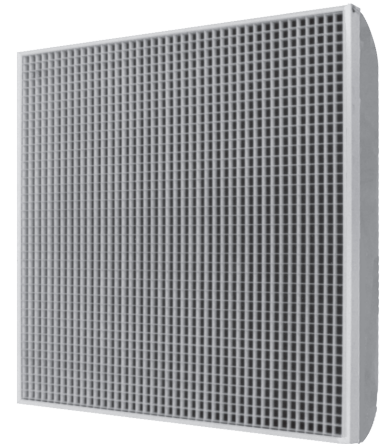


SUBMITTAL SHEET



N° ERI

Aluminum Egg Crate Return with Molded Fiberglass Back Panel

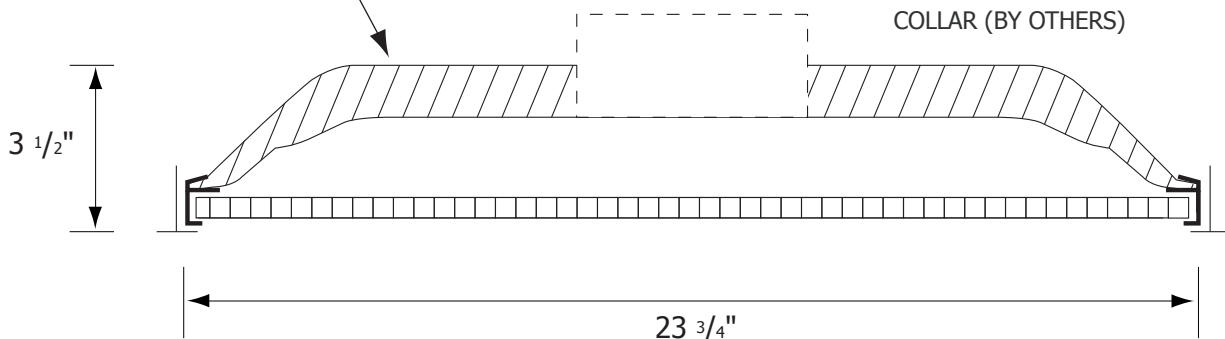


ERI

- Material:** Molded fiberglass back with aluminum foil vapor barrier scored for 6" to 14" D. in an extruded aluminum fixed frame.
- Grid core:** Aluminum 1/2" X 1/2" X 1/2".
- Finish:** Powder paint coating - white.
- Mounting:** T-bar Lay-in ceiling.

Fiberglass back complies with A.S.T.M. E84 flame and smoke test. Scored for collar sizes up to 14" D.

R4 R6



Job: _____

Architect: _____
Engineer: _____
Contractor: _____
