

SUBMITTAL SHEET



N° DF4

Ceiling Square Diffuser - 4 Cone Fixed air pattern

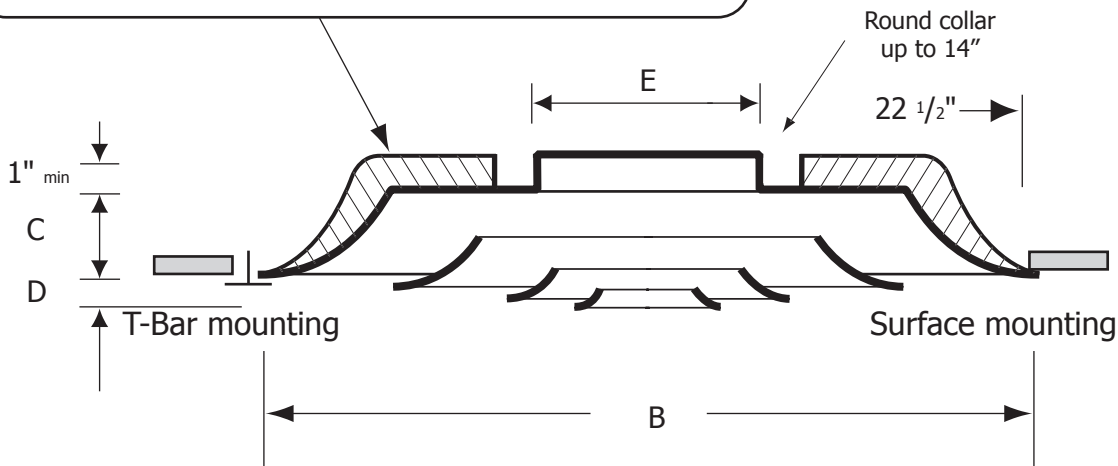
- Material:** Stamped heavy gauge steel.
Finish: Powder paint coating - white.
Air Pattern: Fixed horizontal 360° diffusion.
Mounting: Surface or Lay-in T-bar ceiling.
Core Removal: (DF4R only) Unlock hanger brackets by swiveling lever down. Holding cone L at opposite sides, push upwards, then turn clockwise and drop core free from back plenum.



Optional fiberglass insulation on back panel, complies with A.S.T.M. E84 flame and smoke test.

- R2 (fit to collar) R4 (fit to collar) R6

- DF4R** Removable Core
 DF4N Non removable Core



✓	Model #	Duct Size	E	Face Dim B x B	C	D
	DF4 2406	6	5 7/8"	23 3/4" x 23 3/4"	2 7/8"	7/8"
	DF4 2408	8	7 7/8"	23 3/4" x 23 3/4"	2 7/8"	7/8"
	DF4 2410	10	9 7/8"	23 3/4" x 23 3/4"	2 7/8"	7/8"
	DF4 2412	12	11 7/8"	23 3/4" x 23 3/4"	2 7/8"	7/8"
	DF4 2414	14	13 7/8"	23 3/4" x 23 3/4"	2 7/8"	7/8"

Job: _____

Architect: _____

Engineer: _____

Contractor: _____