

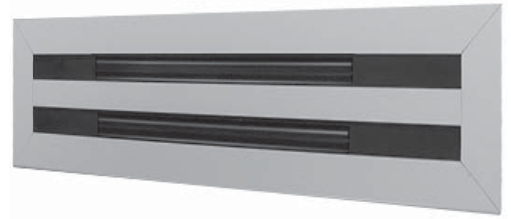
SUBMITTAL SHEET



ALS30 / ALS37

Linear 3/4" Slot Diffuser

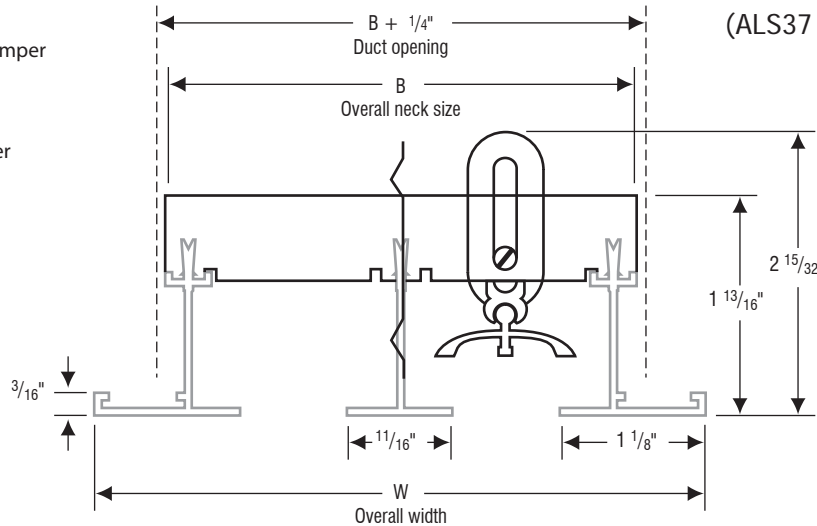
Material: Extruded aluminum construction
Mounting: Surface or Lay-in T-bar ceiling.



ALS30
without pattern-control damper

ALS37
with pattern-control damper

ALS30 / ALS37
(ALS37 two slots shown here)



Frame Gasket -GK

Style	
<p>Surface mounting -E <input type="checkbox"/></p> <p>Overall Length = List Length + 7/8"</p> <p>Duct Opening = List Length</p> <p>Neck Size = List Length - 1/4"</p>	<p>T-bar mounting (N/A with -3) -T <input type="checkbox"/></p> <p>Neck Size = List Length - 13/8"</p> <p>Duct Opening = List Length - 11/8"</p> <p>Overall Length = List Length - 1/4"</p>

✓	NO. OF SLOTS	B	W
	01	1 13/16"	2 31/32"
	02	3 1/4"	4 13/32"
	03	4 11/16"	5 27/32"
	04	6 1/8"	7 9/32"
	05	7 9/16"	8 23/32"
	06	9"	10 5/32"
	07	10 7/16"	11 19/32"
	08	11 7/8"	13 1/32"



Fastening Method		
No Fastening -1 <input type="checkbox"/>	Screw -3 <input type="checkbox"/>	Concealed -4 <input type="checkbox"/>
	 N/A with -T	

Finish	
White <input type="checkbox"/>	Custom (please specify) <input type="checkbox"/>

Job: _____

Architect: _____

Engineer: _____

Contractor: _____