

# SECURITY BARS

ALL STEEL CONSTRUCTION MODELS SB-1 AND SB-2 SECURITY BARS.

ALL ALUMINUM CONSTRUCTION MODELS SB-1-A AND SB-2-A SECURITY BARS ALSO AVAILABLE.

type  
**MODEL SB-1**  
**MODEL SB-2**  
**MODEL SB-1-A**  
**MODEL SB-2-A**

**FRAME:**

ALL STEEL CONSTRUCTION  
 SOLID 3/8" X 1 1/2"  
 RECTANGULAR STEEL BARS

**SECURITY BARS:**

SOLID 1/2" DIAMETER STEEL  
 BARS SECURED ON 6"  
 CENTERS

**CONSTRUCTION:**

METAL INERT GAS WELDED  
 FRAME AND BARS

**MOUNTING HOLES:**

3/8" BOLT CLEARANCE HOLES  
 PROVIDED  
 (13/32 DIAMETER HOLES)

**FINISHES:**

- (1) UNFINISHED
- (2) PAINTED
- (3) ZINC PLATED
- (4) BLACK OXIDE

**OPTIONAL**

**CONSTRUCTION:**

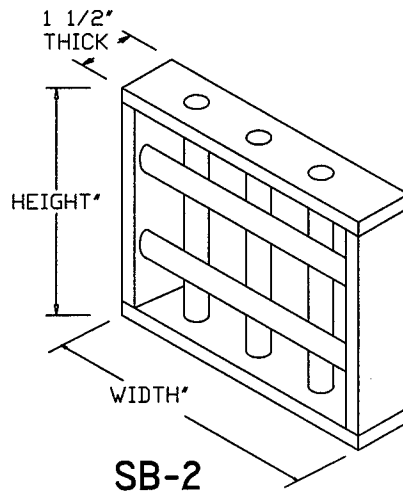
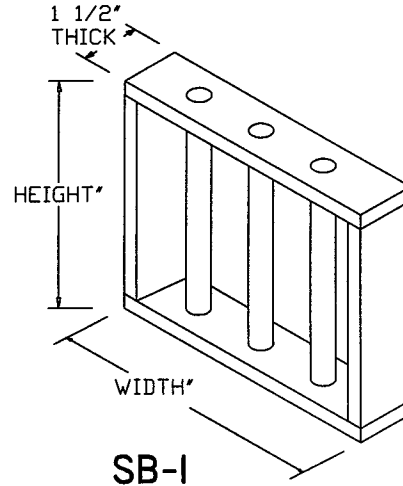
CORROSION RESISTANT SOLID ALUMINUM 1/2"  
 DIAMETER BARS AND SOLID 3/8" X 1 1/2" FRAME  
 FOR BOTH MODELS.  
 SPECIFY: (ALUMINUM CONSTRUCTION MATERIAL)

**SIZES:**

UNLIMITED

**DELIVERY:**

CONSULT FACTORY



ITEM NUMBER	QTY.	WIDTH	HEIGHT	MODEL	FINISH	MATERIAL	
				SB1/SB2	NUMBER	STL	ALM
1							
2							
3							
4							
5							

JOB NAME: \_\_\_\_\_

LOCATION: \_\_\_\_\_

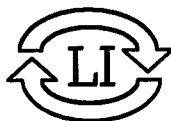
ARCHITECT: \_\_\_\_\_

ENGINEER: \_\_\_\_\_

CONTRACTOR: \_\_\_\_\_

NOTES: \_\_\_\_\_

10382-REV-A



## LLOYD INDUSTRIES INC.

231 COMMERCE DRIVE  
 MONTGOMERYVILLE, PA. 18936  
 TEL: 215-412-4445  
 FAX: 215-412-4409  
 EMAIL: LLOYDIND@FIREDAMPER.COM

5858 BROADWAY AVE.  
 JACKSONVILLE, FL. 32254  
 TEL: 904-378-8440  
 FAX: 904-378-8441  
 EMAIL: LLOYDINDI@BELLSOUTH.NET

WEB SITE: FIREDAMPER.COM