

# SLEEVES

## MODEL 75 CURTAIN FIRE DAMPERS

### SLEEVE DIMENSIONAL INFORMATION FOR CURTAIN FIRE DAMPERS AND DOORS

1. Dampers and sleeves are always priced and ordered by W x H or dimensions as shown. The types C, CR, and CO all require the damper to be oversized. Actual overall dimensions can be determined by adding sleeve material thickness to the basic damper dimensions (after allowing for the standard 1/4" damper undersizing).

2. "K" distance may be ordered at any dimension up to the sleeve length less onehalf the damper frame width. If "K" dimension is not specified, "K" dimension will be provided as sleeve length (L)/2. (Damper On Centerline)

type

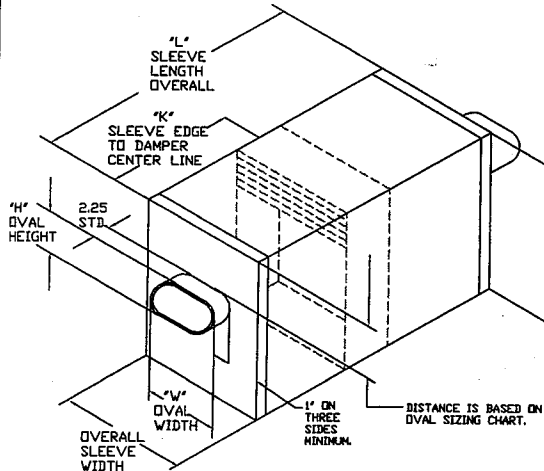
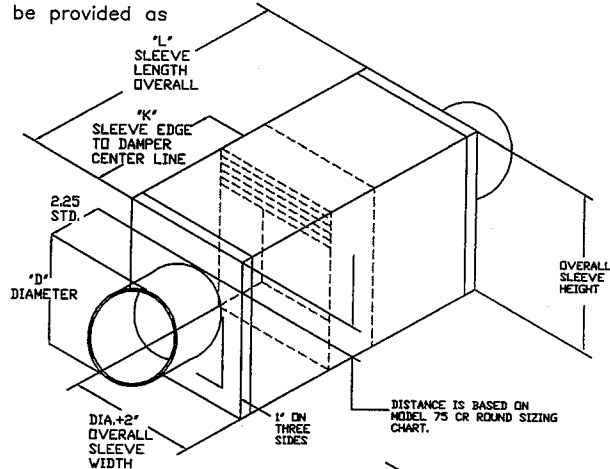
**C**-----(75C RECTANGLE)

**CR**--(75CR ROUND)

**CO**--(75CO OVAL)

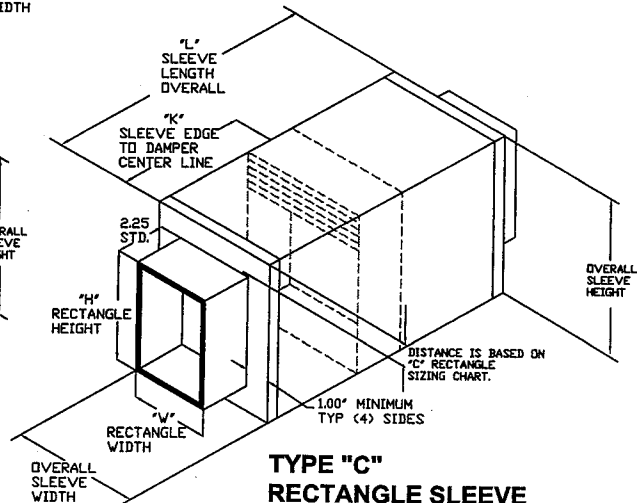
#### TYPE "CR" ROUND SLEEVE

WHEN ORDERING SPECIFY:  
COLLAR DIAMETER X LENGTH  
X GAUGE + (<"K" DIMENSION)  
WHEN NOT SPECIFIED, DAMPERS  
WILL BE PROVIDED CENTERED  
IN SLEEVE LENGTH. (L/2)



#### TYPE "CO" OVAL SLEEVE

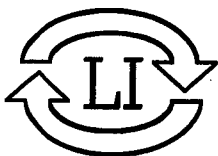
WHEN ORDERING SPECIFY:  
OVAL WIDTH X OVAL HEIGHT  
X LENGTH X GAUGE  
+ (<"K" DIMENSION)  
WHEN NOT SPECIFIED, DAMPERS  
WILL BE PROVIDED CENTERED  
IN SLEEVE LENGTH. (L/2)



#### TYPE "C" RECTANGLE SLEEVE

WHEN ORDERING SPECIFY:  
RECTANGLE WIDTH X RECTANGLE HEIGHT  
X LENGTH X GAUGE  
+ (<"K" DIMENSION)  
WHEN NOT SPECIFIED, DAMPERS  
WILL BE PROVIDED CENTERED  
IN SLEEVE LENGTH. (L/2)

10174-REV-C-2



# LLOYD INDUSTRIES INC.

231 COMMERCE DRIVE  
MONTGOMERYVILLE, PA. 18936  
TEL: 215-412-4445  
FAX: 215-412-4409  
EMAIL: LLOYDIND@FIREDAMPER.COM

5858 BROADWAY AVE.  
JACKSONVILLE, FL. 32254  
TEL: 904-378-8440  
FAX: 904-378-8441  
EMAIL: LLOYDINDI@BELLSOUTH.NET

WEB SITE: FIREDAMPER.COM