

# AIR CONTROL DAMPER

## MODEL AC 40

### SINGLE BLADE

### ROUND CONTROL DAMPER

OPTIONAL FLUSH MOUNT MANUAL QUADRANT

OPTIONAL EXTENDED MOUNT QUADRANT

OPTIONAL MOUNTED ACTUATORS

### STANDARD CONSTRUCTION

#### FRAME:

4" DEEP 16 GA. GALVANIZED STEEL  
ROLL FORMED AND WELDED

#### BLADES:

SINGLE BLADE  
16 GA GALVANIZED  
SINGLE "V" FORMED STIFFENER

#### SEALS:

LOW LEAKAGE CLOSED CELL NEOPRENE

#### BEARINGS:

NON-METALLIC CELCON

#### AXLES:

1/2 SQUARE ZINC PLATED STEEL STUD

#### FINISH:

MILL GALVANIZED

#### STANDARD EXTENDED SHAFT:

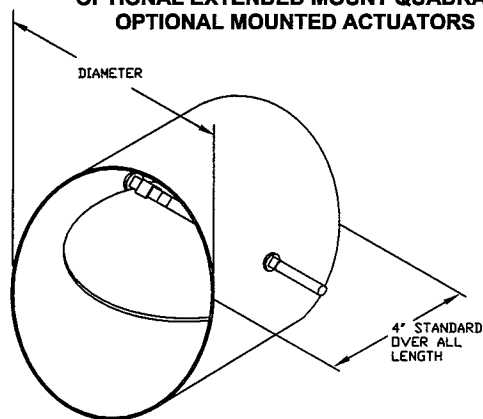
1/2 INCH SQUARE X 3" LONG ZINC PLATED  
STEEL SHAFT EXTENDING 1 INCH  
BEYOND THE AIR CONTROL FRAME.

#### OPERATOR:

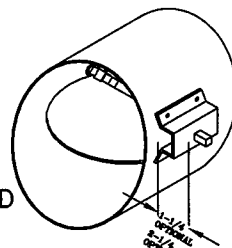
MANUAL QUADRANT FACTORY INSTALLED  
FLUSH MOUNTED AS STANDARD

#### SIZING:

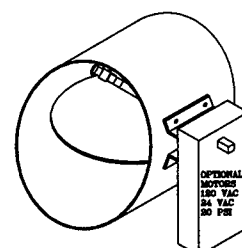
DAMPER SUPPLIED:  
ORDER DIAMETER LESS 1/4"



STANDARD



EXTENDED MOUNT



MOTORIZED

#### OPTIONS:

1-1/4" QUADRANT STANDOFF WITH 6" SHAFT  
2-1/4" QUADRANT STANDOFF WITH 6" SHAFT  
MOTORIZED: 120 VAC, 24 VAC AND 20 PSI  
WITH 1-1/4" OR 2-1/4" STANDOFF, AND  
8" SHAFT.

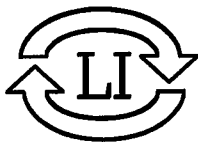
BRONZE BEARINGS

STAINLESS STEEL CONSTRUCTION

SINGLE SECTION SIZE AVAILABILITY	
	DIAMETER
MINIMUM	4"
MAXIMUM	36"

JOB NAME:	_____
LOCATION:	_____
ARCHITECT:	_____
ENGINEER:	_____
CONTRACTOR:	_____

10372-REV-A



## LLOYD INDUSTRIES INC.

231 COMMERCE DRIVE  
MONTGOMERYVILLE, PA. 18936  
TEL: 215-412-4445  
FAX: 215-412-4409  
EMAIL: LLOYDIND@FIREDAMPER.COM

5858 BROADWAY AVE.  
JACKSONVILLE, FL. 32254  
TEL: 904-378-8440  
FAX: 904-378-8441  
EMAIL: LLOYDINDI@BELLSOUTH.NET

WEB SITE: FIREDAMPER.COM