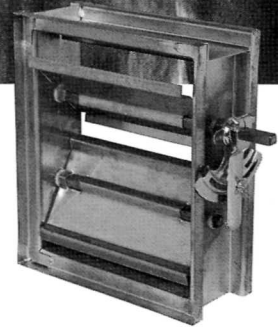


Air Control Dampers



Description: Also called volume balancing damper. This damper is used in situations to control airflow and is considered medium to heavy duty.

Required information:

1. What blade motion is the damper?
 Parallel blades are used when greater control is required near the top end of the damper or for systems requiring position operation (fully opened or fully closed).
 Opposed blade dampers are used for applications where it is necessary to maintain even distribution of air downstream from the damper.
Please note: If you are ordering opposed blade dampers, the minimum height is 10 1/4". For smaller sizes, you must order a parallel blade damper (AC10).

2. What are the dimensions of the damper? width" x height" _____ x _____

3. If the damper is round, what is the diameter of the damper in inches? _____
 Do you require a: square-to-round damper true round damper
 If square-to-round is required, the minimum depth will 14" O.A. to accommodate for the sleeve and collar.

Please note: Dampers are supplied 1/4" less than order width and height (by inches) unless the "actual size" is specified.

4. What material is required for the construction of the product?
 Galvanized Steel (standard if not specified) Stainless Steel Aluminum

5. What type of actuator / motor is required?
 Electric: actuators work automatically- open and close damper after responding to signal.
 Pneumatic: actuators operate by a combination of force created by air and spring force.
 Manual quadrant

6. What voltage actuator / motor is required?
 24 Volt 120 Volt 220 Volt

7. Do you require an end switch?
 Yes No

Please note: If yes, Belimo brand required.

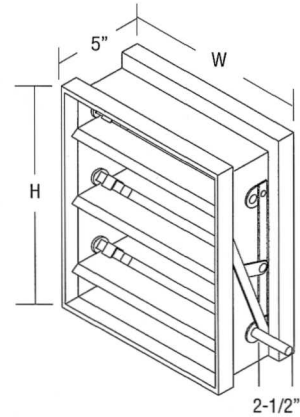
8. What brand actuator is required?
 Belimo (standard if not specified) Landis & Staefa Siemens
 Honeywell Invensys (pneumatic)

9. Where are the actuator and motor to be mounted?
 External (Outside Damper; out of the airstream)
 Internal (Inside Damper; in the airstream)

10. Seals
 Neoprene blade seals
 Stainless steel jamb seals
 Stainless steel jamb and blades seals

11. What type of frame is required?
 Channel Frame (standard if not specified) Flanged Sill
 Flanged Frame
 Flat Head Sill (for dampers 10.25" or less - saves space)

12. What type of bearing is desired?
 Non-metallic calcon bearings (standard if not specified)
 Bronze bearings



Single Section		Multiple Sections
Minimum	W x H	
AC10	6" x 6"	Unlimited
AC20	6" x 10.25"	
Maximum	60" x 60"	

Date: _____

Wholesaler

Name: _____

Location: _____

Salesman: _____

Phone: _____

Contractor

Company: _____

Name: _____

Job Name: _____

Signature: _____

Comments:



Lloyd Industries, Inc.

231 Commerce Dr. • Montgomeryville, PA 18936
 Phone: 215-412-4445 • Fax 215-412-4409
www.firedamper.com

5858 Broadway Ave. • Jacksonville, FL 32254
 Phone: 904-378-8440 • Fax 904-378-8441