



EXTRUDED ALUMINUM LOUVER

MODEL: 6-DL

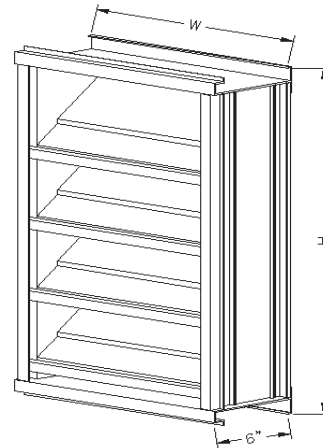
6" DEPTH DRAINABLE CHANNEL

FRAME LOUVER



APPLICATION

The 6-DL is a 6" depth drainable / weather louver designed for protection of higher air intake velocities and exhaust openings in building exterior walls. The blade design for the 6-DL has a better performance to channel water to the jambs which directs the water escape at the sill.

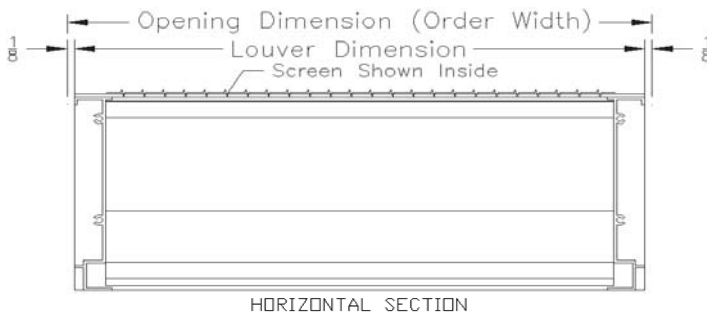
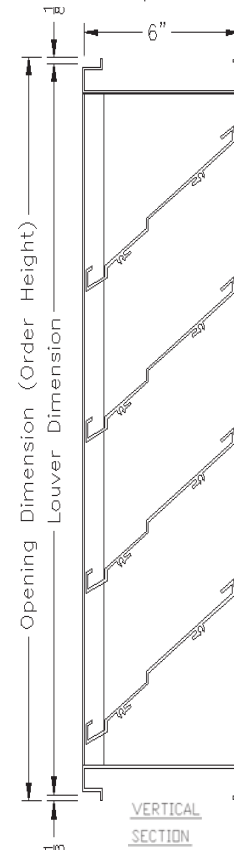


SPECIFICATIONS

- Frame:** 0.081 thick extruded aluminum
6063-T5 mill finish
- Blade:** 0.081 thick extruded aluminum
6063-T5 mill finish
- Blade Spacing:** 4-3/4" centers except at head and sills
- Fasteners:** 10" x 3/4" tek screws
- Blade Angle:** 35°
- Screen:** Bird screen
1/2" x 1/2" galvanized steel
- Flange:** 1-1/4"

OPTIONS

- Insect Screen 1/16" x 1/16" Aluminum
- Bird Screen 1/2" x 1/2" Aluminum
- Finish: Clear Anodized
- Color Anodized
- Powder Coat Paint
- Baked Enamel Paint





EXTRUDED ALUMINUM LOUVER

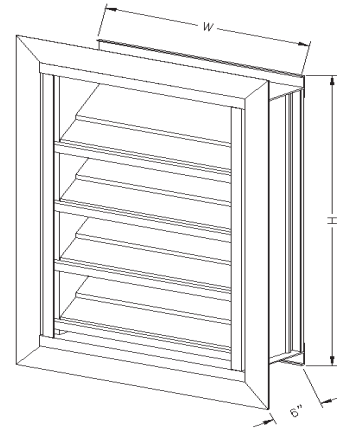
MODEL: 6-DLF

6" DEPTH DRAINABLE FLANGED FRAME LOUVER



APPLICATION

The 6-DLF is a 6" depth drainable / weather flanged frame louver designed for protection of higher air intake velocities and exhaust openings in building exterior walls. The blade design for 6-DLF has a better performance to channel water to the jambs which directs the water escape at the sill.



SPECIFICATIONS

- Frame:** 0.081 thick extruded aluminum
6063-T5 mill finish
- Blade:** 0.081 thick extruded aluminum
6063-T5 mill finish
- Blade Spacing:** 4-3/4" centers except at head and sills
- Fasteners:** 10" x 3/4" tek screws
- Blade Angle:** 35°
- Screen:** Bird screen
1/2" x 1/2" galvanized steel
- Flange:** 1-1/4"

OPTIONS

- Insect Screen 1/16" x 1/16" Aluminum
- Bird Screen 1/2" x 1/2" Aluminum
- Finish: Clear Anodized
- Color Anodized
- Powder Coat Paint
- Baked Enamel Paint

