



EXTRUDED ALUMINUM LOUVER



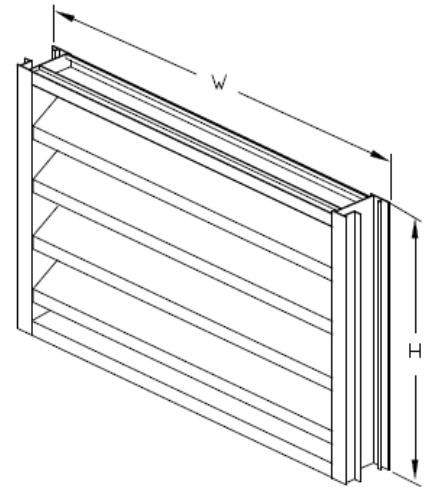
MODEL: 4-SRCF

**IMPACT RESISTANT CHANNEL
FRAME LOUVER**

Miami Dade County Approved-NOA No. 12-0207.04

APPLICATION

The 4-SRCF Stationary Louver with Channel Frame is a 4" deep louver for the protection of high air intake velocities and exhaust in building exterior walls. The 4-SRCF is a capable louver with AMCA STD 500 Performance Data allowing designers to select.

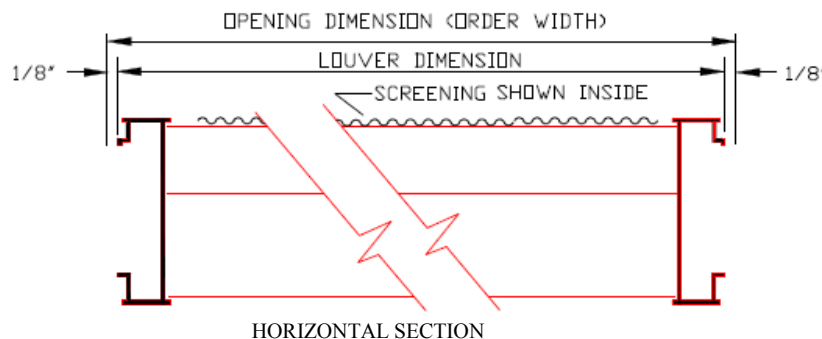
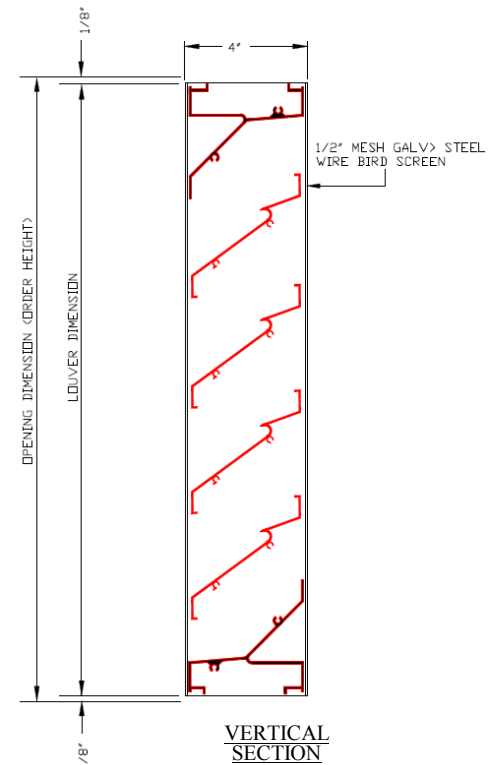


SPECIFICATIONS

- Frame:** 0.081 thick extruded aluminum
6063-T5 mill finish
- Blade:** 0.081 thick extruded aluminum
6063-T5 mill finish
- Blade Spacing:** 3-1/4" centers except at head and sills
- Fasteners:** 10" x 3/4" tek screws
- Blade Angle:** 36°
- Screen:** Bird screen
1/2" x 1/2" galvanized steel
- Flange:** 1-1/4"

OPTIONS

- Insect Screen 1/16" x 1/16" aluminum
- Bird Screen 1/2" x 1/2" aluminum
- Stainless Steel Frame, Steel Frame, Copper Frame
- Finish:** Clear Anodized
Color Anodized
Powder Coat Paint
Baked Enamel Paint



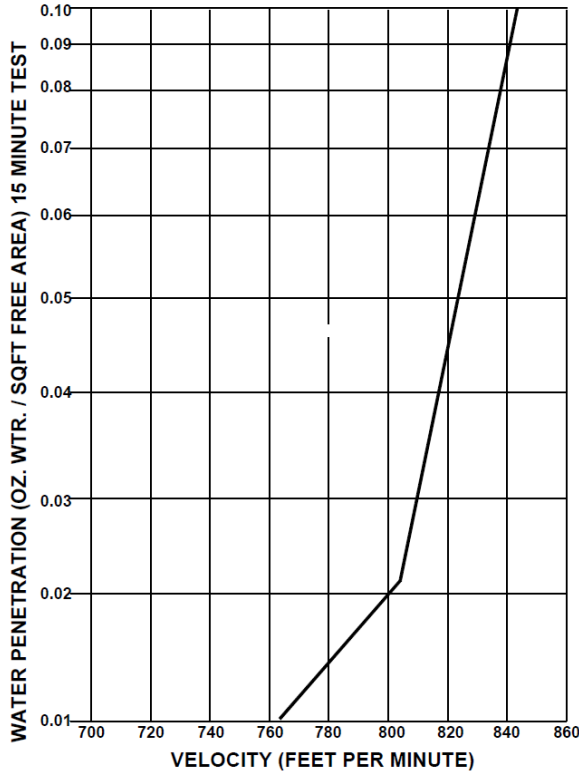


EXTRUDED ALUMINUM LOUVER

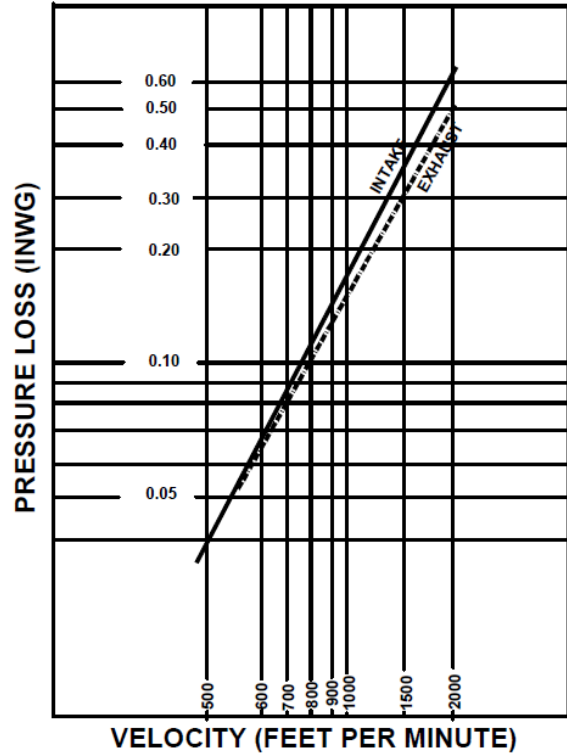
Test on a 48"x48' size louver

MODEL: 4-SRCF

WATER PENETRATION TEST



AIR RESISTANCE TEST



The beginning point of water penetration is 713 FPM @ 0.01 OZ/SQ.FT. of free area.

Performance testing in accordance with AMCA STD 500

Louver size determination

air flow volume	cfm /	free area velocity @ beginning point of water penetration	fpm =	Required Louver Free Area	ft ²
-----------------	-------	---	-------	---------------------------	-----------------

Select louver size from Free Area Chart below, based on required louver free area above
Determine pressure drop from Pressure Drop Chart based on required louver free area above

FREE AREA IN SQ. FT.

WIDTH

HEIGHT	WIDTH							
	12"	18"	24"	30"	36"	42"	48"	54"
12"	0.24	0.41	0.57	0.74	0.90	1.06	1.23	1.47
24"	0.65	1.09	1.54	1.93	2.46	2.91	3.35	3.75
30"	0.81	1.30	1.84	2.37	2.93	3.47	3.99	4.46
36"	0.99	1.75	2.46	3.18	3.93	4.64	5.34	5.98
42"	1.22	2.16	3.05	3.94	4.86	5.75	6.62	7.41
48"	1.43	2.60	3.67	4.74	5.86	6.93	7.97	8.93
54"	1.60	2.81	3.97	5.12	6.33	7.48	8.61	9.64
60"	1.80	3.26	4.59	5.93	7.33	8.66	9.96	11.16
66"	1.90	3.70	5.22	6.74	8.32	9.84	11.32	12.68
72"	2.20	3.91	5.51	7.12	8.79	10.40	11.96	13.39
78"	2.43	4.35	6.13	7.92	9.79	11.57	13.31	14.91
84"	2.61	4.77	6.72	8.68	10.72	12.68	14.59	16.34
90"	2.87	5.21	7.35	9.49	11.72	13.86	15.94	17.85

