

SQUARE DIFFUSERS



MODEL ISO

ARCHITECTURAL LINE Square Panel Diffuser

MODEL ISO

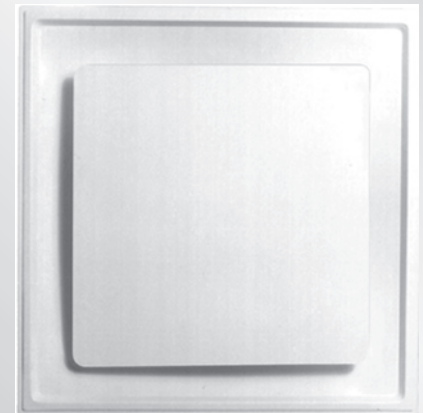
ISO Supply Diffusers with integral round necks are recommended for heating, ventilating and cooling.

Round-neck-to-square-face construction results in a 360° air diffusion pattern similar to a full round diffuser. High diffusion induction rates result in rapid temperature and velocity equalization of the mixed air mass well above the zone of occupancy. Horizontal performance assures confident use of cooling temperature differential of 30° F and greater, at predicted low air motion 35 fpm in the zone of occupancy. ISO Supply Diffusers perform efficiently with air loadings of 6 to 30 air changes per hour (based on 10 ft. ceiling height), and sound level range of NC 25 to 35.

Core is removable for access to optional damper (model ISOR), or non-removable (model ISON).

FEATURES

- Full face 24" x 24" for all neck sizes.
- Full face 12" x 12" for 6" & 8" neck sizes.
- Heavy-gauge all-steel construction.
- Removable core (ISOR) can be removed without tools.
- Ideal for VAV systems.
- Powder paint coating - White.
- Matching OBD dampers available.

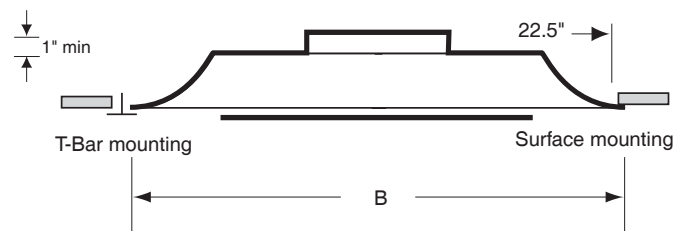


ISO

(Full face 24" x 24")

HANDY FEATURE:

One standard model suits both T-Bar and Drywall installations using rigid ducting.



Listed Size	Neck Dia	Nominal Face Size	Overall Face Size "B"	Drywall Ceiling Opening
1206	6	12 x 12	11 ³ / ₄ x 11 ³ / ₄	10 ¹ / ₂ x 10 ¹ / ₂
1208	8	12 x 12	11 ³ / ₄ x 11 ³ / ₄	10 ¹ / ₂ x 10 ¹ / ₂
2406	6	24 x 24	23 ³ / ₄ x 23 ³ / ₄	22 ¹ / ₂ x 22 ¹ / ₂
2408	8	24 x 24	23 ³ / ₄ x 23 ³ / ₄	22 ¹ / ₂ x 22 ¹ / ₂
2410	10	24 x 24	23 ³ / ₄ x 23 ³ / ₄	22 ¹ / ₂ x 22 ¹ / ₂
2412	12	24 x 24	23 ³ / ₄ x 23 ³ / ₄	22 ¹ / ₂ x 22 ¹ / ₂
2414	14	24 x 24	23 ³ / ₄ x 23 ³ / ₄	22 ¹ / ₂ x 22 ¹ / ₂

ENGINEERING PERFORMANCE DATA

MODEL ISO

SQUARE PANEL



12" x 12" face

SIZE (inches)	Neck Velocity (fpm)	400	500	600	700	800	1000	1200	1400	1600
	Velocity Pressure (in H ₂ O)	.010	.016	.022	.031	.041	.062	.090	.122	.160
6	CFM	78	98	118	137	157	196	235	274	313
	Total Pressure	.05	.07	.10	.14	.18	.29	.41	.58	.72
	NC	< 20	< 20	< 20	< 20	< 20	21	24	29	37
	Throw (ft)	2-3-6	3-4-7	4-5-9	4-5-10	5-6-11	6-8-12	7-9-13	8-10-15	9-11-16
8	CFM	140	175	209	244	279	349	419	489	559
	Total Pressure	.07	.10	.15	.21	.29	.42	.62	.84	1.00
	NC	< 20	< 20	< 20	< 20	< 20	25	30	38	45
	Throw (ft)	2-4-7	3-5-9	4-7-10	5-8-11	6-9-12	7-10-14	8-12-17	10-12-18	11-14-20

24" x 24" face

SIZE (inches)	Neck Velocity (fpm)	400	500	600	700	800	1000	1200	1400	1600
	Velocity Pressure (in H ₂ O)	.010	.016	.022	.031	.041	.062	.090	.122	.160
6	CFM	78	98	118	137	157	196	235	274	313
	Total Pressure	.02	.03	.04	.05	.08	.1	.14	.19	.24
	NC	< 20	< 20	< 20	< 20	< 20	23	27	32	37
	Throw (ft)	1-2-4	2-3-4	2-3-5	2-3-6	3-4-7	4-5-8	4-6-9	4-7-10	6-8-14
8	CFM	140	175	209	244	279	349	419	489	559
	Total Pressure	.02	.03	.04	.06	.08	.11	.17	.23	.29
	NC	< 20	< 20	< 20	< 20	< 20	28	32	36	41
	Throw (ft)	2-3-5	2-3-7	3-4-8	3-5-8	4-6-9	5-7-11	6-8-14	7-9-14	7-10-14
10	CFM	218	273	327	382	436	545	654	763	872
	Total Pressure	.03	.04	.06	.08	.11	.18	.24	.35	.48
	NC	< 20	< 20	< 20	< 20	23	29	36	40	44
	Throw (ft)	3-4-6	4-5-8	4-6-10	5-7-12	6-8-14	7-9-15	8-11-16	9-12-17	10-13-19
12	CFM	314	393	471	550	628	785	941	1099	1246
	Total Pressure	.04	.06	.08	.13	.16	.25	.35	.50	.67
	NC	< 20	< 20	< 20	21	24	31	38	43	47
	Throw (ft)	4-5-9	5-6-10	6-7-10	6-8-13	7-9-15	8-11-18	10-13-20	11-15-21	12-16-22
14	CFM	492	615	738	861	984	1230	1476	1722	1968
	Total Pressure	.05	.08	.13	.16	.22	.32	.43	.59	.80
	NC	< 20	< 20	< 20	22	27	34	40	43	47
	Throw (ft)	4-6-10	5-6-11	6-8-14	7-10-16	8-11-18	10-14-20	12-15-22	12-17-23	14-19-24

NC Value based on 10 db room attenuation.

Throw Values are based on isothermal air and terminal velocities of 150 fpm, 100 fpm & 75 fpm respectively.
Total Pressure the sum of static pressure plus velocity pressure and is given in inches w.g.

HOW TO ORDER

EXAMPLE : ISO

R

2408

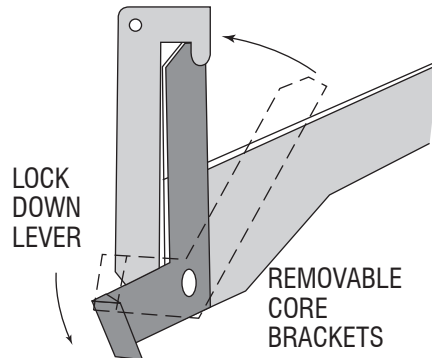
6-8-10-12-14"
NECK SIZE

24" X 24"
FULL FACE

R Removable Core
N Non Removable Core

IMPORTANT

Removable core models should have their core locked in place after installation for security reasons. Follow directions below.



Core Locking