

# SUBMITTAL SHEET

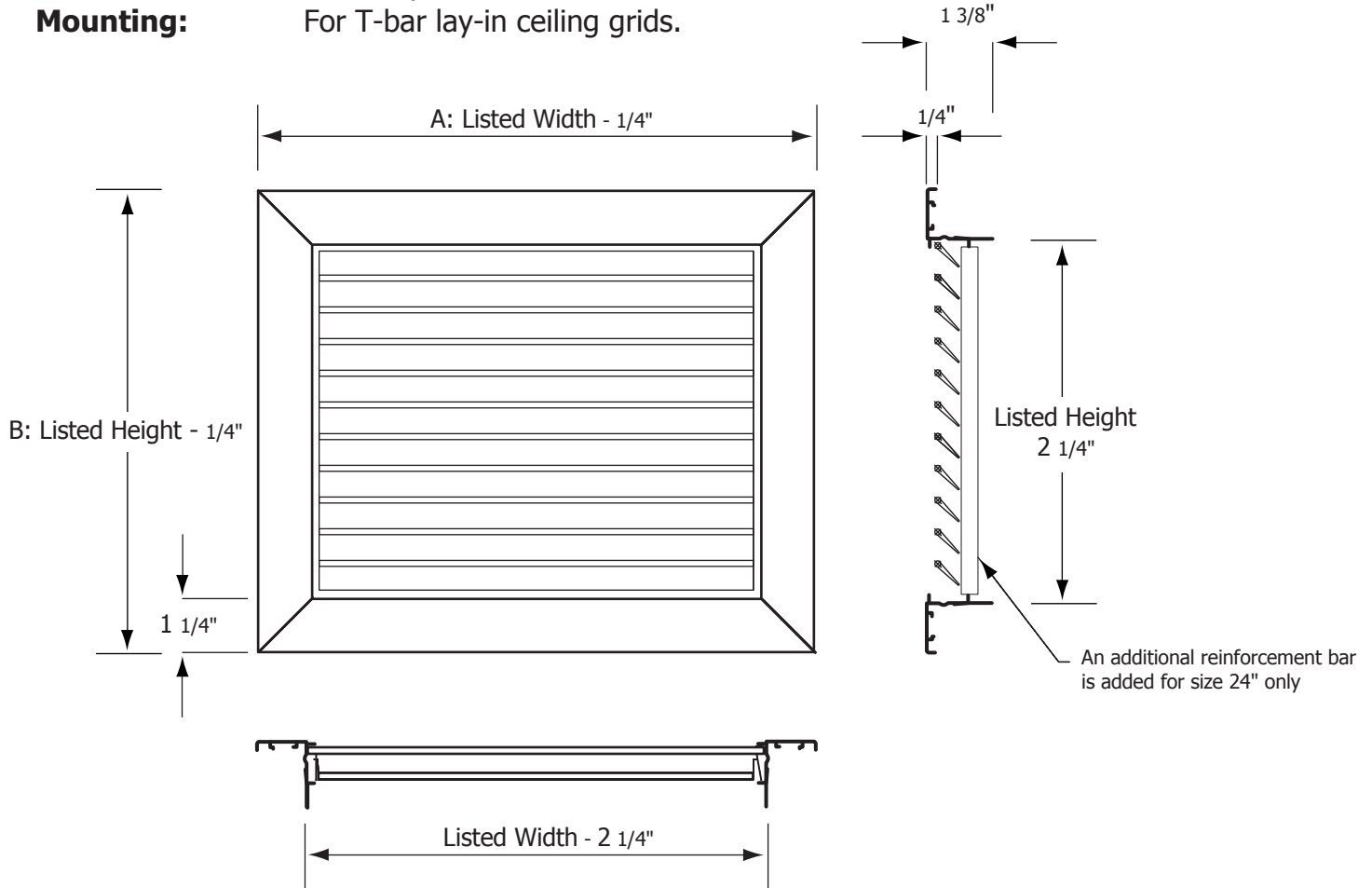


N° GRT

Rev. 1

## Ceiling Return Grille/Diffuser

- Material:** Aluminum construction.  
Fixed bars.  
Bar spacing @0.666 (17mm).
- Finish:** Powder paint white finish.
- Mounting:** For T-bar lay-in ceiling grids.



Finish	
<input type="checkbox"/> White	<input type="checkbox"/> Custom <small>(please specify)</small>



✓	Model #	Face Dim. A x B
	GRT 1212	11 3/4" x 11 3/4"
	GRT 2412	23 3/4" x 11 3/4"
	GRT 2424	23 3/4" x 23 3/4"

Job: \_\_\_\_\_

Architect: \_\_\_\_\_

Engineer: \_\_\_\_\_

Contractor: \_\_\_\_\_

All dimensions in inches