

INSTRUCTIONS

GOBI

Installation and operating guide

Installations- und Bedienungsanleitung

Guide d'installation et d'utilisation

Istruzioni per l'installazione e l'uso

Guía de instalación y funcionamiento

Installatiehandleiding en gebruiksaanwijzing

Руководство по установке и эксплуатации

**HVAC/R
Service Products**





GOBI

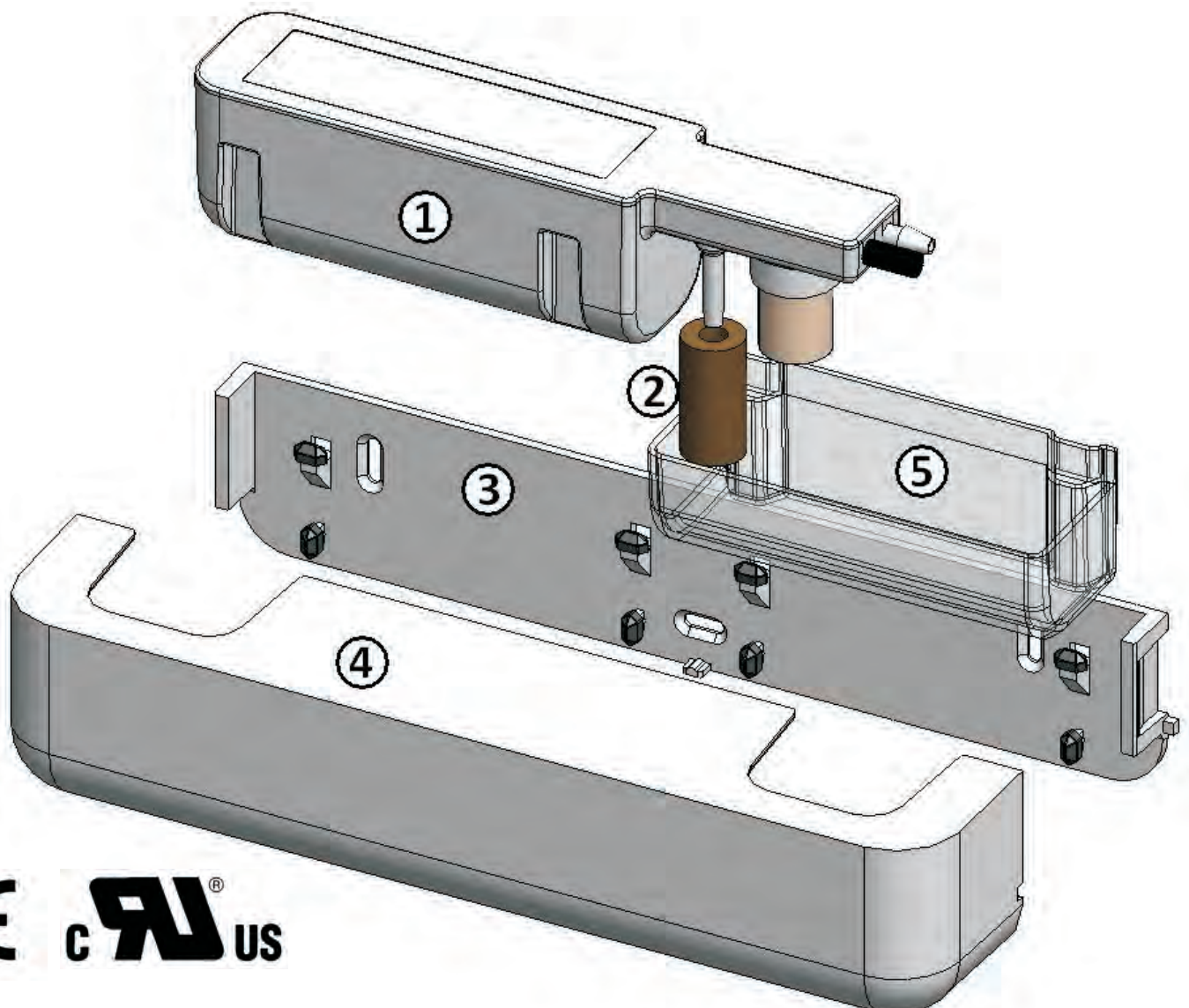
Condensate removal pump Installation and operating guide

The GOBI is a self-contained condensate removal system for use outside but directly adjacent to air conditioning air handlers, as shown opposite.

Box Contents

1. GOBI Pump
2. Filter
3. Backplate
4. Front cover
5. Condensate collection tray

No.6 x 25mm (1") screws (x3)
Rawl plugs (x3)



Under normal use this equipment requires no user intervention. Installation, both fixing and electrical, and maintenance work shall be carried out only by the manufacturer or by its service center or in any case by a person having similar skills, so as to prevent any risk. Electrical installation of equipment shall be in compliance with these installation instructions and with all National and Local Regulations for Electrical Safety.

To reduce the risk of fire, electrical shock and injury to persons, the following safety instructions shall be used:

- This pump is intended for indoor use with water only (max 25°C).
- This pump is NOT SUBMERSIBLE.
- Disconnect ALL power supplies before starting installation, connection or maintenance work.
- This pump is provided with a grounding conductor. To reduce the risk of electric shock, be certain that it is connected only to a properly grounded, grounding type receptacle.
- All interconnecting tubes and cables should be confined within the air conditioning unit, or enclosed in any way.
- During electrical installation, make sure this condensate pump is connected to a circuit having a switch with contact separation in all poles that provide full disconnection from the power supply under over-voltage categories III.
- During electrical installation, a fuse non-time delay (rated 250V 1A), shall be fitted into the line, supply side, see electrical installation section.
- The power cord is not replaceable. If the power cord is damaged then the entire pump must be replaced.
- Children should be supervised to ensure that they are not left unattended in the area where the pump is in use.
- Children or persons with reduced physical, sensory or mental capabilities which limits their ability to use the appliance should have a responsible person to instruct them in its use.

Do not allow any chemicals to come into contact with this pump. Remove the pump from the system before using cleaning fluid or any other chemicals. Flush the system with clean water before re-connecting the pump.

All fittings on this pump are designed to be finger-tight. The use of tools to attach pipework may result in damage to the pump.

In any installations where property damage and/or personal injury might result from an inoperative or leaking pump, it is strongly recommended that the alarm relay should be used to operate an alarm and/or switch off the air conditioning unit.

Installation

The GOBI can be installed on the left or right hand side of the air handler. The following installation instructions refer to a right handed installation. For left handed installations swap the positions of the pump and condensate collection tray as shown below.



Left Handed

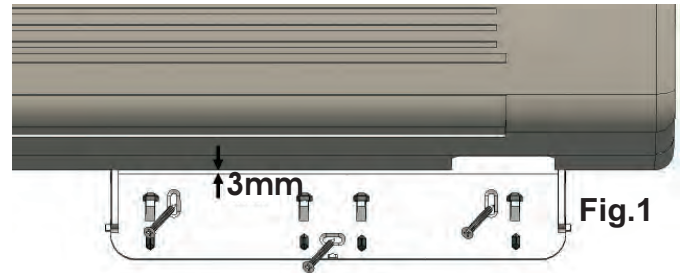
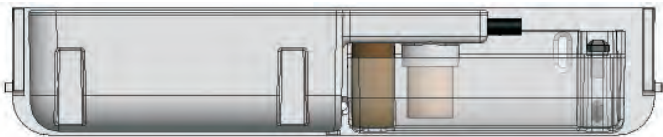


Fig.1

Fig.1. Screw the backplate to the wall **3 mm** below the air handler and just overlapping the outlet hole. Enlarge the outlet hole if necessary.



Right Handed

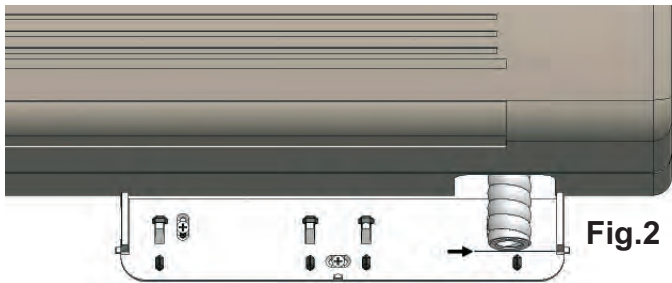


Fig.2

Fig.2. Cut the drain hose level with the bottom of the bracket.

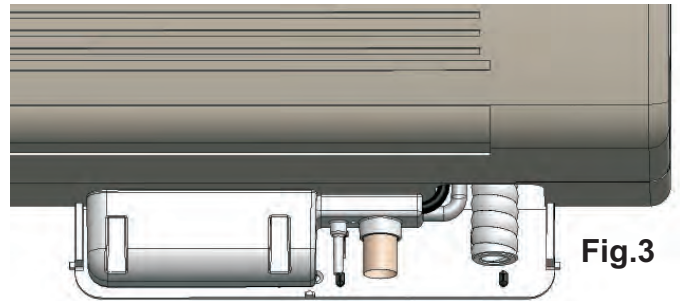


Fig.3

Fig.3. Place the GOBI pump on the mounting posts, feed the power cable through the air handler outlet hole and connect the discharge tube.

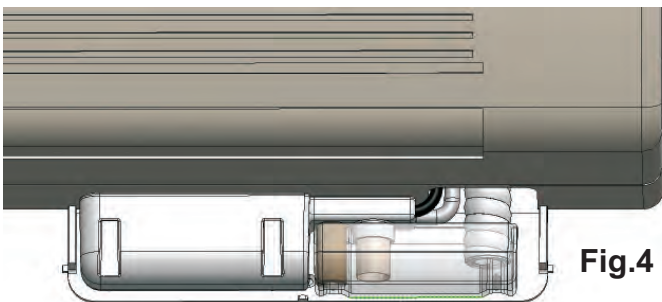


Fig.4

Fig.4. Slide the filter over the pump inlet tube and fit the condensate collection tray onto the backplate.

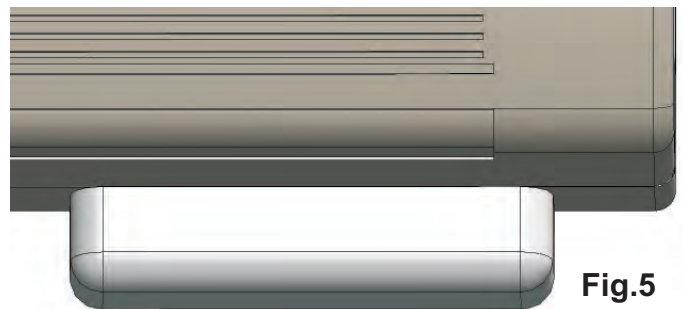


Fig.5



Fig.5. Slide on the cover and snap into place.

Wiring Connections

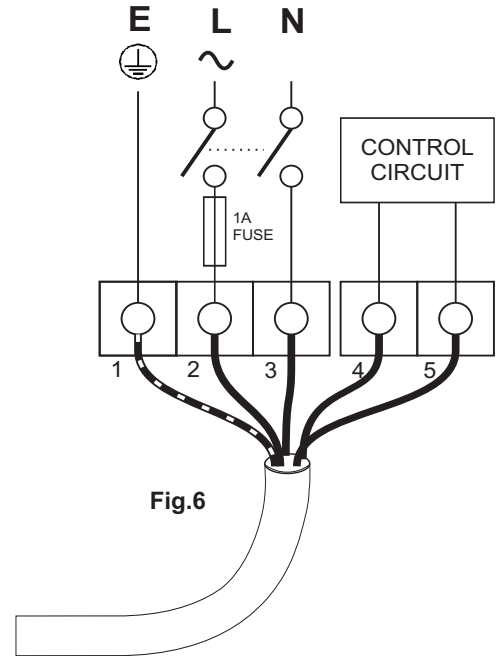
Connect the ground, live and neutral wire from the supply cable of the GOBI pump to the supply terminals (see Fig.6)

This product must be connected using a switch with contact separation in all poles that provide full disconnection from the power supply under over-voltage categories III. A fuse non time delay (rated 250V 1A), shall be fitted into the line, supply side (see Fig.6).

Cable Connections

<u>Wire Colour</u>	<u>Connect</u>	<u>Symbol</u>
1 GREEN/ YELLOW	EARTH	E 
2 BLACK	LIVE	L 
3 WHITE	NEUTRAL	N
4 VIOLET	Alarm contact	
5 VIOLET	Alarm contact	

POWER SUPPLY

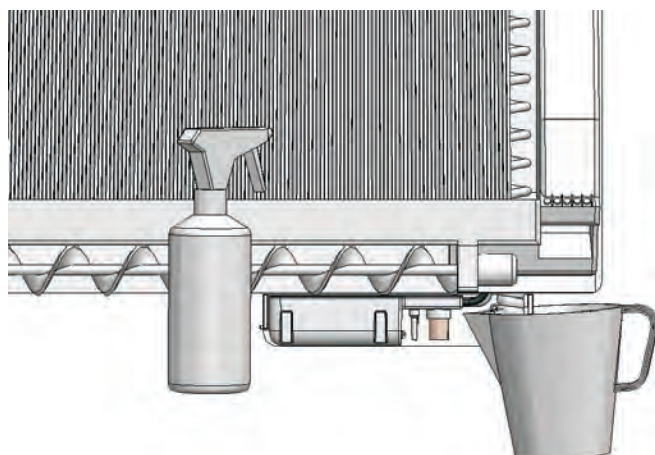
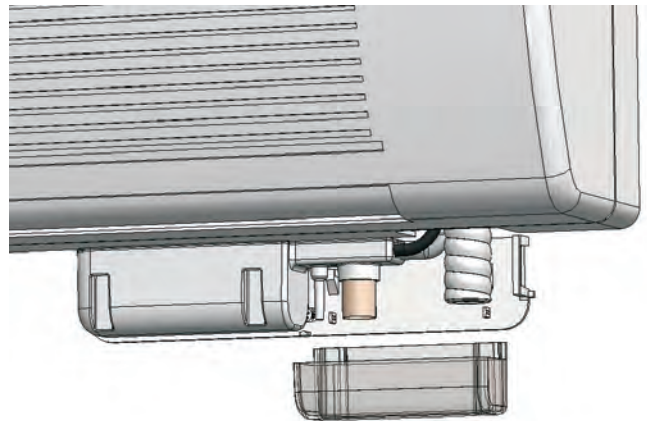


Alarm Contacts

Volt Free Break On Fault connection is rated 5 amps 1250VA. It may be necessary to use a contactor if the air handler supply is to be switched.

Set-up & Test

- Warning** - the pump is live during testing.
- Remove the GOBI cover.
- Half fill the condensate collection tray with clean tap water - The pump will start on low power. It may be noisy whilst air is purged from the system.
- Continue to add water until the sensor is fully submerged - The pump will switch to full power and the alarm contacts will open.
- Allow the GOBI to remove the water from the collection tray - The pump will stop and the alarm contacts will close.
- Re-fit the GOBI cover.

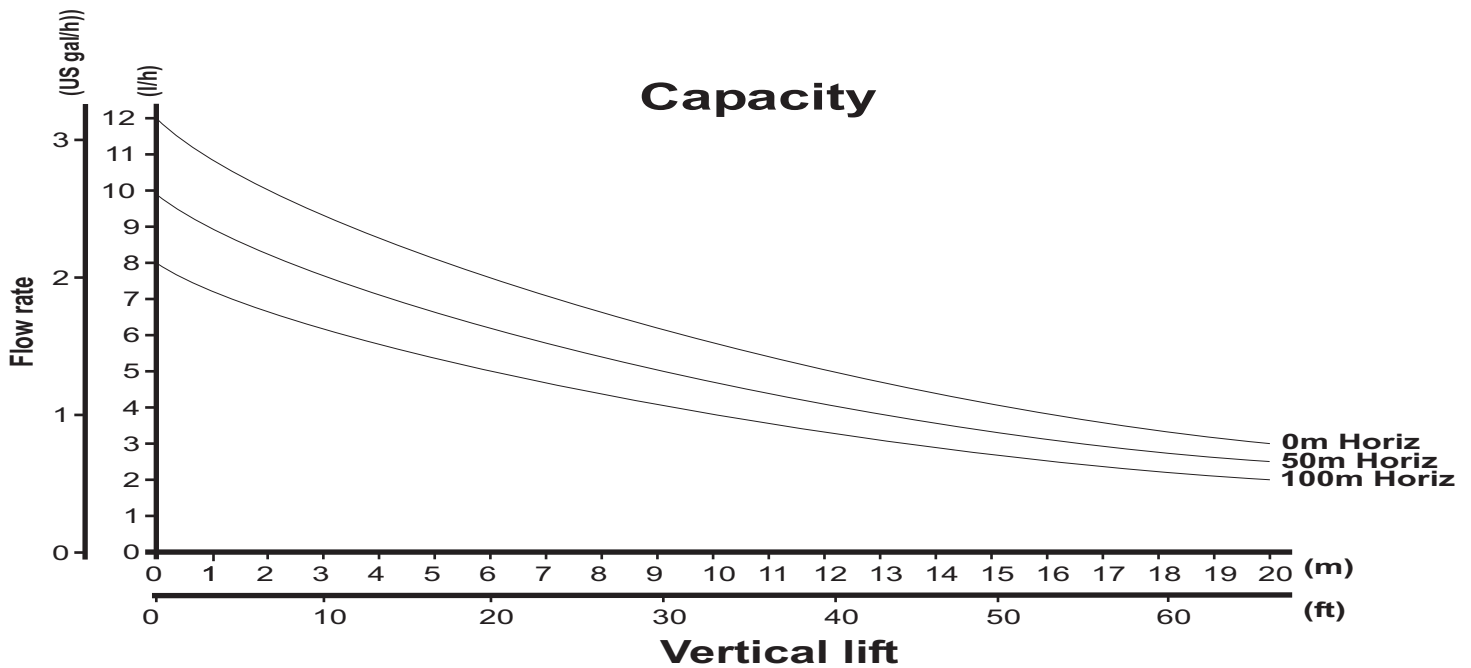


Coil Cleaning

Do not allow the pump to collect or operate with cleaning chemicals in the system.

- Disconnect ALL power supplies.**
- Remove air-handler cover, GOBI cover and condensate collection tray.
- Follow manufacturers instructions but collect chemicals in a separate container.
- Flush the system with clean water.
- Re-fit condensate collection tray, GOBI cover and air-handler cover.

Specifications	Power supply:	120/240Vac, 50/60Hz Auto sensing
	Power consumption:	16W max., 0.25W when idle
	Alarm relay:	5A, 30Vdc, 250Vac Break on fault
	Capacity:	12 litres/hour max. (3.17 US gal/h)
	Maximum head:	Vertical >20m (65 ft), Horizontal >100 m (328 ft) Suction 1 m max. (3.28 ft)
	Ambient temp:	0 - 40°C
	Water temp:	25°C max.
	Material:	Flame retardant ABS UL94 5VA
	Discharge tube:	6mm (1/4") ID
	Dimensions:	286 x 61 x 53mm (11.3" x 2.4" x 2")
	IP:	44



Trouble Shooting

Pump does not run:

Check fuse and electrical supply connections.
 Check that water is reaching the pump sensor.

Pump is pumping air:

Check that the collection tray is level.
 Check that the sensor is clean and undamaged.
 Check that the outlet tube is not syphoning.

Pump is noisy:

Check that the mains cable and outlet tube are not vibrating against the sides of the equipment.

Pump continues to run with no water:

The sensor may be contaminated by dirt, mould or certain cleaning chemicals. Gently wipe the sensor with a damp cloth. If the problem persists, repeat with methylated spirit and then rinse with water.

WARRANTY

This product is guaranteed for two years to be free from manufacturing defects or faulty materials. If it should fail for either of these reasons within two years from the date of manufacture it will be repaired or replaced free of charge, at the option of REFCO Manufacturing Ltd.

REFCO Manufacturing Ltd. can accept no liability whatsoever for any loss or damage arising from the use of this product, however caused. Before using this product the user should satisfy himself that it is suitable for use in the intended application and for the manner in which it is intended that it be used.

This product is subject to continuous development and improvement and REFCO Manufacturing Ltd. reserves the right to alter the specification or design without prior notice.