

RETURN AIR GRILLE

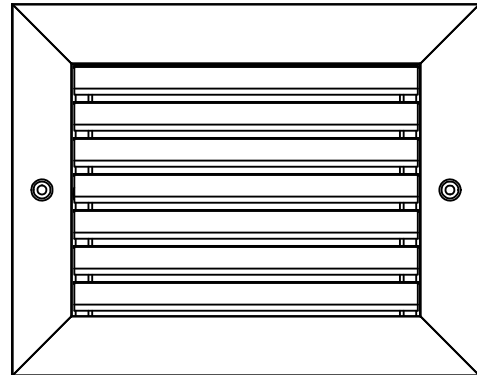
BLADES FIXED A 35° ANGLE

MINIMUM SIZE: 6" WIDTH x 4" HEIGHT

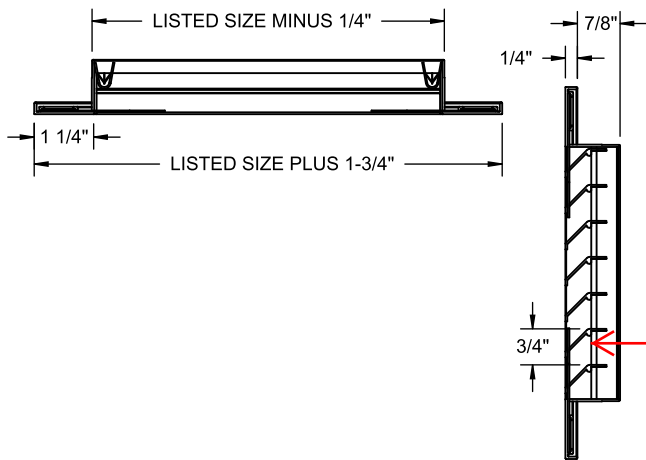
MAXIMUM SIZE: 96" WIDTH x 48" HEIGHT

EXTRUDED ALUMINUM; 6063-T5

FINISH - W (WHITE PAINTED)



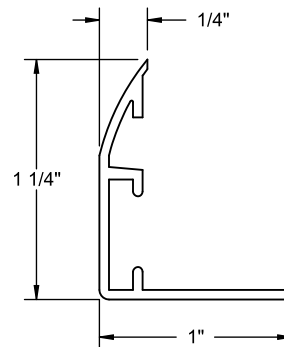
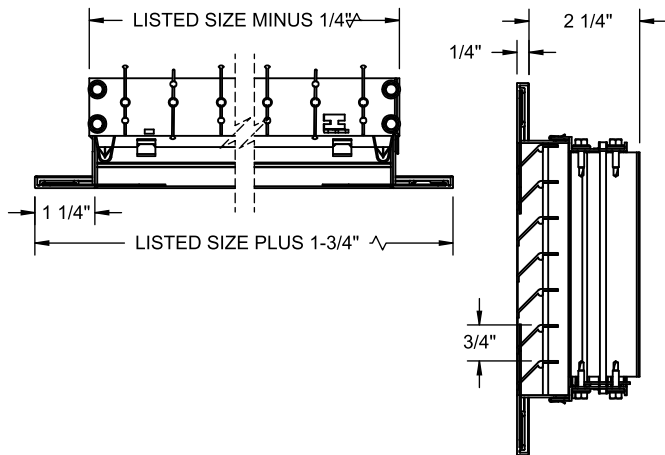
FACE VIEW



Same as WGFX except 1/2 spacing on Blades

MODEL - WGFX - RETURN GRILLE

Model - WGFX5 - Return Grille



MODEL - WGFX - OPPOSED BLADE DAMPER

ALTERNATE "Z" FRAME

DWG NO.

02HV027C

JOB NAME: _____

ENGINEER: _____

DATE:

6/22/15

LOCATION: _____

CONTRACTOR: _____

ARCHITECT: _____

FINISH: _____