

RETURN AIR GRILLE

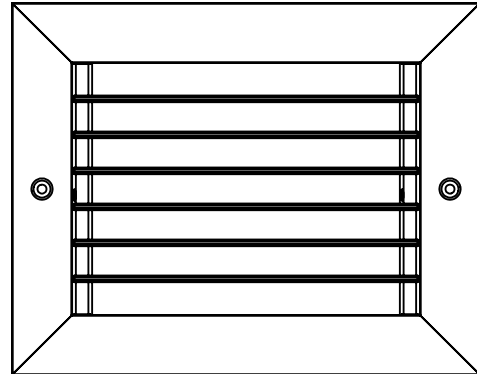
BLADES FIXED ON 3/4" CENTERS IN STRAIGHT POSITION

MINIMUM SIZE: 4" WIDTH x 4" HEIGHT

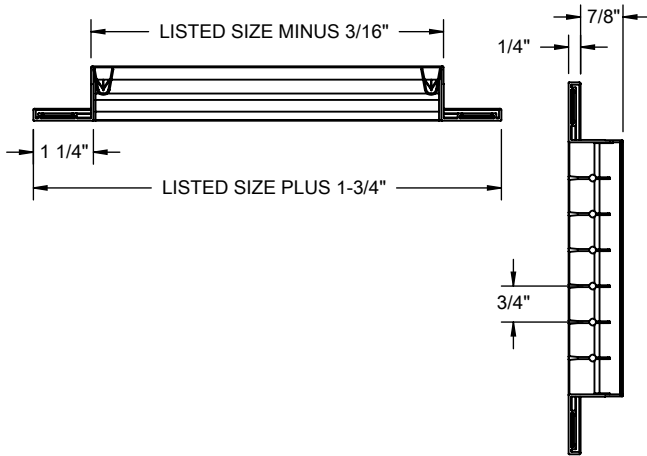
MAXIMUM SIZE: 96" WIDTH x 48" HEIGHT

EXTRUDED ALUMINUM; 6063-T5

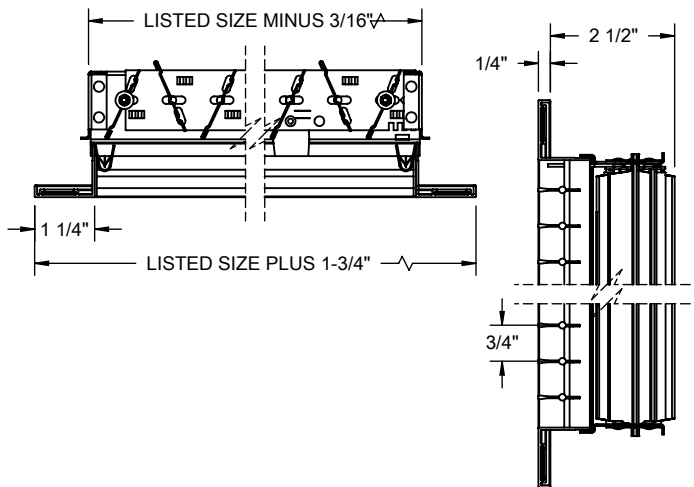
FINISH - W (WHITE PAINTED)



FACE VIEW



MODEL - WGFXS - RETURN GRILLE



MODEL - WGFXS - OPPOSED BLADE DAMPER

DWG NO.

02HV036B

JOB NAME: _____

ENGINEER: _____

DATE:

6/22/15

LOCATION: _____

CONTRACTOR: _____

ARCHITECT: _____

FINISH: _____