

RETURN AIR GRILLE

DESIGNED FOR USE WITH 1" OR 2" THICK FILTERS

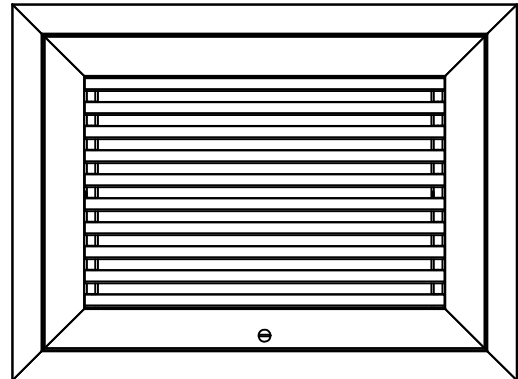
BLADES FIXED AT 40° ANGLE

MINIMUM SIZE: 10" WIDTH x 8" HEIGHT

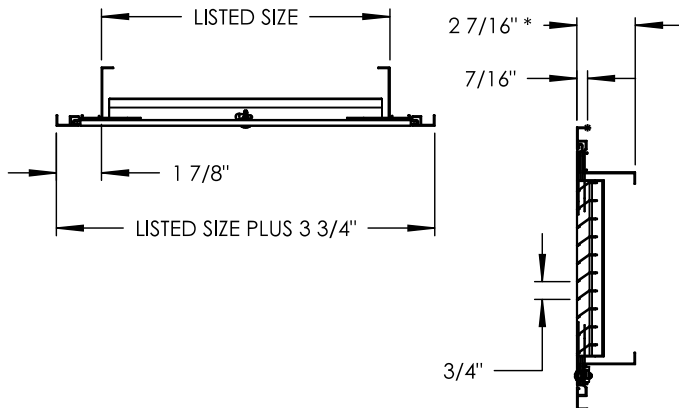
MAXIMUM SIZE: 48" WIDTH x 30" HEIGHT

EXTRUDED ALUMINUM; 6063-T5

FINISH - SA (CLEAR ANODIZE) OR W (WHITE PAINTED)

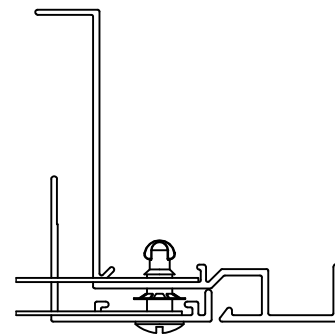


FACE VIEW

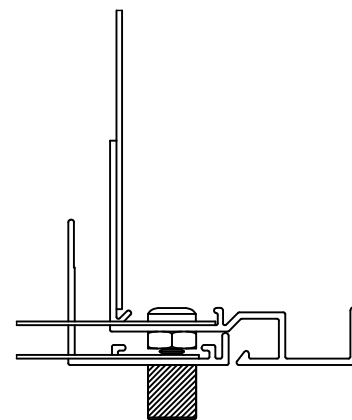


* DIMENSION SHOWN FOR 1" FILTER,
VALUE IS 3 7/16" FOR 2" FILTER

MODEL - WGFXF - RETURN GRILLE



QUARTER-TURN FASTENER OPTION



KNURLED KNOB FASTENER OPTION

DWG NO.

02HV032B

JOB NAME: _____

LOCATION: _____

ARCHITECT: _____

ENGINEER: _____

CONTRACTOR: _____

FINISH: _____

DATE:

01/06/16