

RETURN AIR GRILLE

DESIGNED FOR USE WITH 1" OR 2" THICK FILTERS

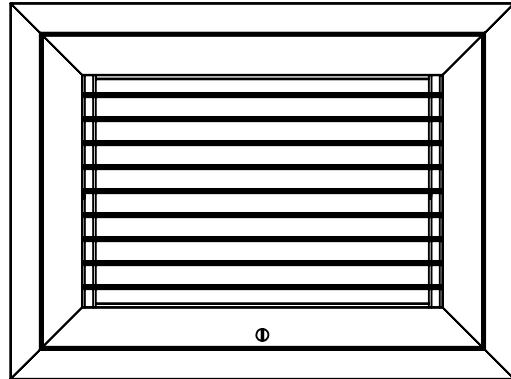
BLADES FIXED ON 3/4" CENTERS IN STRAIGHT POSITION

MINIMUM SIZE: 6" WIDTH x 4" HEIGHT

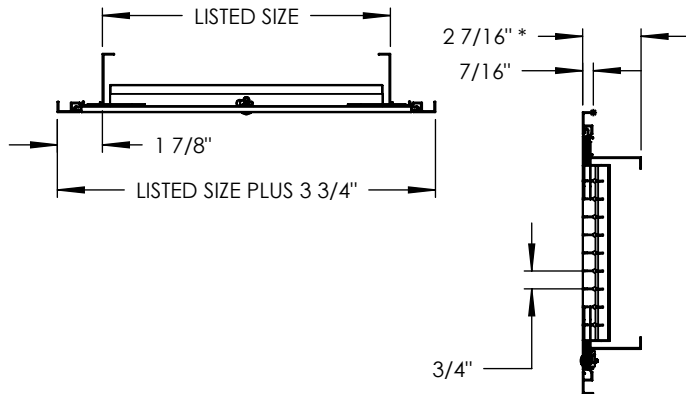
MAXIMUM SIZE: 96" WIDTH x 48" HEIGHT

EXTRUDED ALUMINUM; 6063-T5

FINISH - SA (CLEAR ANODIZE) OR W (WHITE PAINTED)

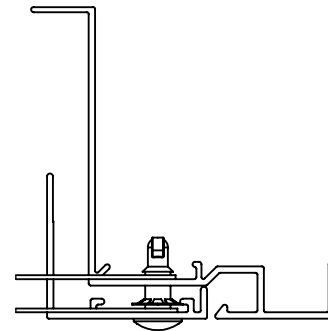


FACE VIEW

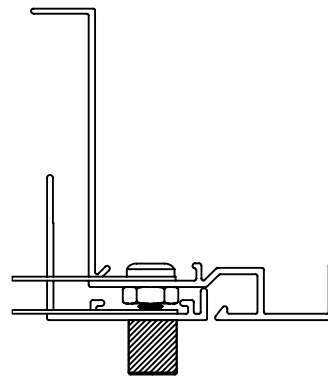


* DIMENSION SHOWN FOR 1" FILTER,
VALUE IS 3 7/16" FOR 2" FILTER

MODEL - WGFYFS - RETURN GRILLE



QUARTER-TURN FASTENER OPTION



KNURLED KNOB FASTENER OPTION

DWG NO.

02HV040B

JOB NAME: _____

ENGINEER: _____

DATE:

01/06/16

LOCATION: _____

CONTRACTOR: _____

ARCHITECT: _____

FINISH: _____