

SUBMITTAL SHEET



Nº GDA10/GDA17/GDA18

Single Deflection Spiral Duct Grille Adjustable Air Pattern

Material: Aluminum construction.
Adjustable blades.
Finish: Powder paint coating - white.
Mounting: Screw holes mounting.
Spacing: 2/3" Blade Spacing



GDA18

Horizontal Face Blades

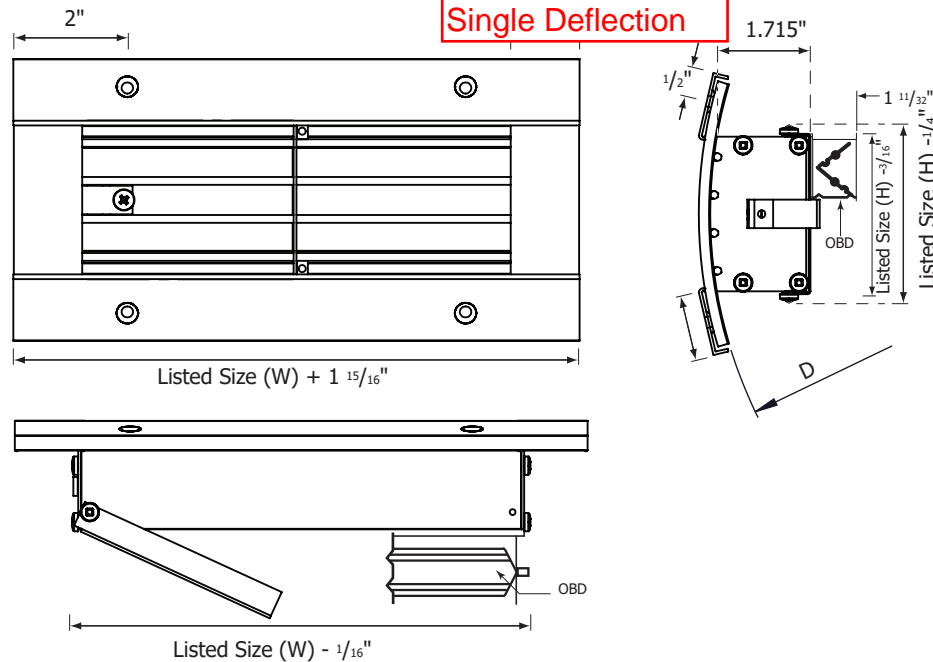
- GDA10-H** Aluminum Fins
- GDA17-H** Steel Opposed Blade Damper
- GDA18-H** Aluminum Fins with Air Scoop

Nice feature: Fins follow the curve on the face of the grille.

~~Vertical Face Blades~~

- ~~**GDA10-V** Aluminum Fins~~
- ~~**GDA17-V** Steel Opposed Blade Damper~~
- ~~**GDA18-V** Aluminum Fins with Air Scoop~~

Not Available on
Single Deflection



Duct D	H= List Height					
	3"	4"	6"	8"	10"	12"
6"						
8"						
10"						
12"						
14"						
16"						
18"						
20"						
Over 20"						

Finish		
<input type="checkbox"/> /W White (default)	<input type="checkbox"/> /M Mill Finish	<input type="checkbox"/> Custom (please specify)

Schedule type: _____

Job: _____

Architect: _____

Engineer: _____

Contractor: _____