

SUBMITTAL SHEET



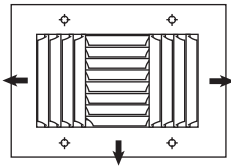
N° GCB30/GCB37

3 Way Adjustable Curved Blade Supply Grille Recessed Blades

- Material:** Extruded aluminum with mechanically fastened corners.
- Mounting:** Drywall or any surface mounting. Countersunk mounting holes on frame.
- Air Pattern:** 270° Diffusion.
Adjustable blades - $\frac{2}{3}$ " spacing.

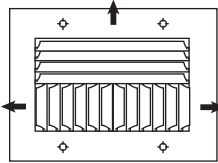


GCB30



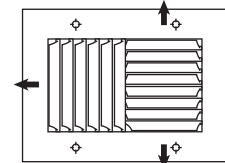
Standard discharge pattern

- GCB30-WS**
- GCB37-WS** With OBD



Alternate discharge pattern (long)

- GCB30-WL**
- GCB37-WL** With OBD



Alternate discharge pattern

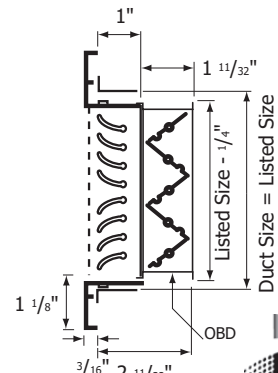
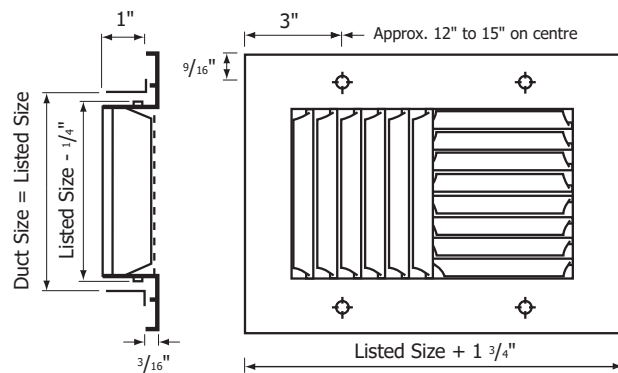
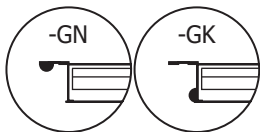
- GCB30-WA**
- GCB37-WA** With OBD

Blade Deflection Options

- Adjustable Blades** (default) -AB
- Fixed Blades** -FB

Options

- Supplied w/sub frame** -SF
- Debris (Bird) Screen** -DF
- Insect Screen** -IS
- Flange Gasket** -GK
- Neck Gasket** -GN
- One Piece** -U



Finish

<input type="checkbox"/> /W White (default)	<input type="checkbox"/> /B Brushed Aluminium	<input type="checkbox"/> /M Mill Finish	<input type="checkbox"/> /L Brushed and Lacquered	<input type="checkbox"/> /Custom (Please Specify)
--	--	--	--	--

Panel Option for T-bar lay-in Ceiling

	Steel (WxH)	Aluminum (WxH)
<input type="checkbox"/> -X1212	<input type="checkbox"/> -Y1212	
<input type="checkbox"/> -X1224	<input type="checkbox"/> -Y1224	
<input type="checkbox"/> -X2412	<input type="checkbox"/> -Y2412	
<input type="checkbox"/> -X2424	<input type="checkbox"/> -Y2424	
<input type="checkbox"/> -X2448	<input type="checkbox"/> -Y2448	
<input type="checkbox"/> -X4824	<input type="checkbox"/> -Y4824	
<input type="checkbox"/> -X2020	<input type="checkbox"/> -Y2020	

No fastening options available

Fastening Method

<input type="checkbox"/> -1 No Fastening	<input type="checkbox"/> -2 Spring clip	<input type="checkbox"/> -3 (Default) Screw holes	<input type="checkbox"/> -6 Adhesive Mounting
--	---	---	---

Schedule type: _____

Job: _____

Architect: _____

Engineer: _____

Contractor: _____