

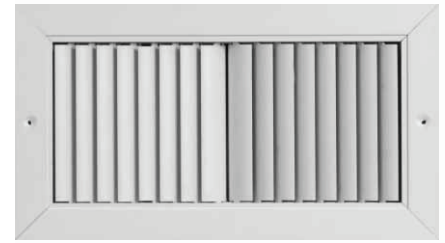
SUBMITTAL SHEET



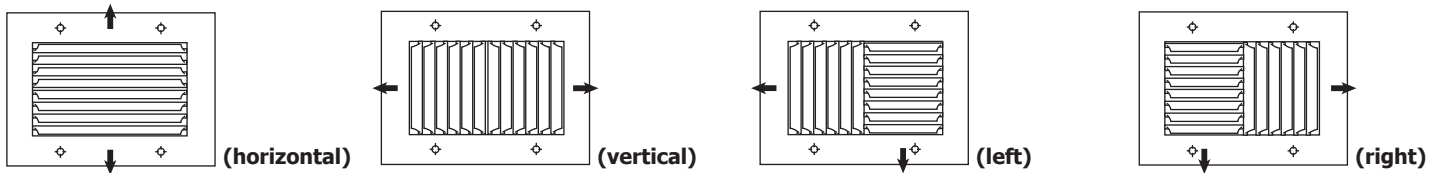
N° GCB20/GCB27

2 Way Adjustable Curved Blade Supply Grille Recessed Blades

Material: Extruded aluminum with mechanically fastened corners.
Mounting: Drywall or any surface mounting. Countersunk mounting holes on frame.
Air Pattern:



GCB20



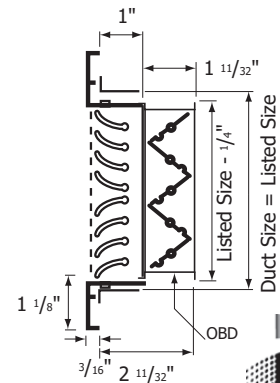
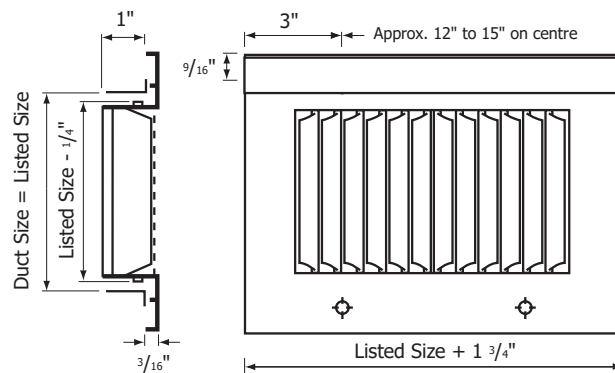
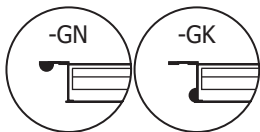
- | | | | |
|--|---|---|---|
| <input type="checkbox"/> Standard discharge pattern | <input type="checkbox"/> Alternate discharge pattern | <input type="checkbox"/> Alternate discharge pattern | <input type="checkbox"/> Alternate discharge pattern |
| <input type="checkbox"/> GCB20-WH | <input type="checkbox"/> GCB20-WV | <input type="checkbox"/> GCB10-WV | <input type="checkbox"/> GCB10-WV |
| <input type="checkbox"/> GCB27-WH With OBD | <input type="checkbox"/> GCB7-WV With OBD | <input type="checkbox"/> GCB10-WV With OBD | <input type="checkbox"/> GCB10-WV With OBD |

Blade Deflection Options

- Adjustable Blades (default) -AB
- Fixed Blades -FB

Options

- Supplied w/sub frame -SF
- Debris (Bird) Screen -DF
- Insect Screen -IS
- Flange Gasket -GK
- Neck Gasket -GN
- One Piece -U



Finish

<input type="checkbox"/> /W White (default)	<input type="checkbox"/> /B Brushed Aluminium	<input type="checkbox"/> /M Mill Finish	<input type="checkbox"/> /L Brushed and Lacquered	<input type="checkbox"/> /Custom (Please Specify)
--	--	--	--	--

Fastening Method

<input type="checkbox"/> -1 No Fastening	<input type="checkbox"/> -2 Spring clip	<input type="checkbox"/> -3 (Default) Screw holes	<input type="checkbox"/> -6 Adhesive Mounting
---	--	--	--

Panel Option for T-bar lay-in Ceiling

	Steel (WxH)	Aluminum (WxH)
<input type="checkbox"/>	-X1212	-Y1212
<input type="checkbox"/>	-X1224	-Y1224
<input type="checkbox"/>	-X2412	-Y2412
<input type="checkbox"/>	-X2424	-Y2424
<input type="checkbox"/>	-X2448	-Y2448
<input type="checkbox"/>	-X4824	-Y4824
<input type="checkbox"/>	-X2020	-Y2020

No fastening options available

Schedule type: _____
 Job: _____
 Architect: _____
 Engineer: _____
 Contractor: _____