

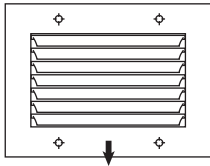
SUBMITTAL SHEET



N° GCB1/GCB17

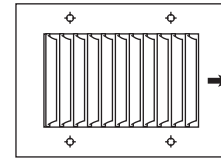
1 Way Adjustable Curved Blade Supply Grille Recessed Blades

- Material:** Extruded aluminum with mechanically fastened corners.
- Mounting:** Drywall or any surface mounting. Countersunk mounting holes on frame.
- Air Pattern:** 90° Diffusion.
Adjustable blades - $\frac{2}{3}$ " spacing.



Standard discharge pattern (horizontal)

- GCB10-WH**
- GCB17-WH** With OBD



Alternate discharge pattern (vertical)

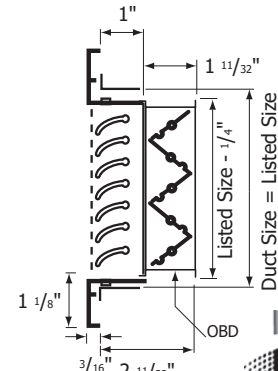
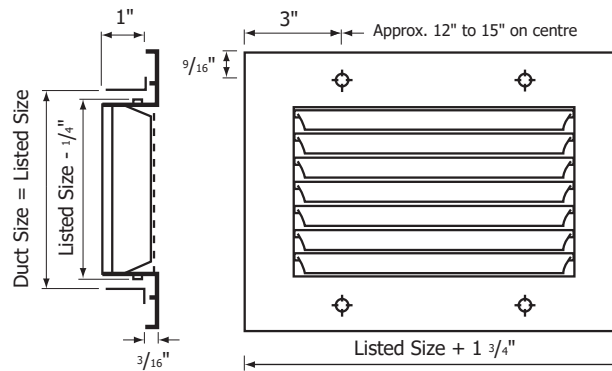
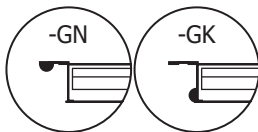
- GCB10-WV**
- GCB17-WV** With OBD

Blade Deflection Options

- Adjustable Blades (default) -AB**
- Fixed Blades -FB**

Options

- Supplied w/sub frame -SF**
- Debris (Bird) Screen -DF**
- Insect Screen -IS**
- Flange Gasket -GK**
- Neck Gasket -GN**
- One Piece -U**



Finish

<input type="checkbox"/> /W White (default)	<input type="checkbox"/> /B Brushed Aluminium	<input type="checkbox"/> /M Mill Finish	<input type="checkbox"/> /L Brushed and Lacquered	<input type="checkbox"/> /Custom (Please Specify)
---	---	---	---	---

Fastening Method

<input type="checkbox"/> -1 No Fastening	<input type="checkbox"/> -2 Spring clip	<input type="checkbox"/> -3 (Default) Screw holes	<input type="checkbox"/> -6 Adhesive Mounting
--	---	---	---

Panel Option for T-bar lay-in Ceiling

	Steel (WxH)	Aluminum (WxH)
	<input type="checkbox"/> -X1212	<input type="checkbox"/> -Y1212
	<input type="checkbox"/> -X1224	<input type="checkbox"/> -Y1224
	<input type="checkbox"/> -X2412	<input type="checkbox"/> -Y2412
	<input type="checkbox"/> -X2424	<input type="checkbox"/> -Y2424
	<input type="checkbox"/> -X2448	<input type="checkbox"/> -Y2448
	<input type="checkbox"/> -X4824	<input type="checkbox"/> -Y4824
<input type="checkbox"/> -X2020	<input type="checkbox"/> -Y2020	

No fastening options available

Schedule type: _____

Job: _____

Architect: _____

Engineer: _____

Contractor: _____