

RETURN & EXHAUST GRILLE

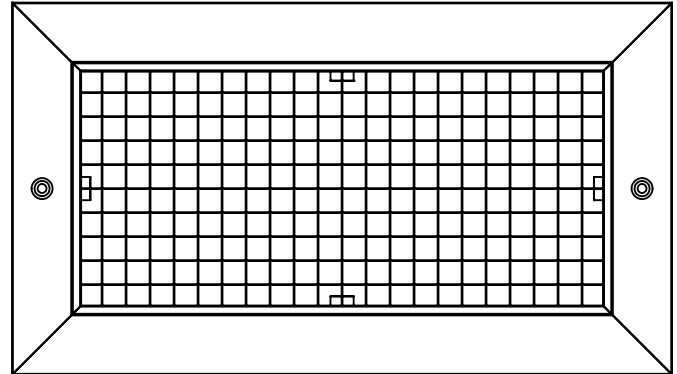
ALUMINUM GRID 1/2" X 1/2" X 1/2" FOR
SIDEWALL APPLICATION

MINIMUM SIZE: 4" WIDTH x 4" HEIGHT

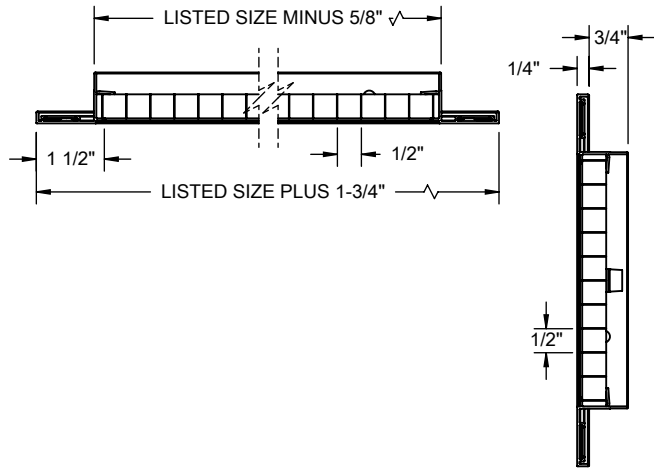
MAXIMUM SIZE: 48" WIDTH x 96" HEIGHT

EXTRUDED ALUMINUM; 6063-T5

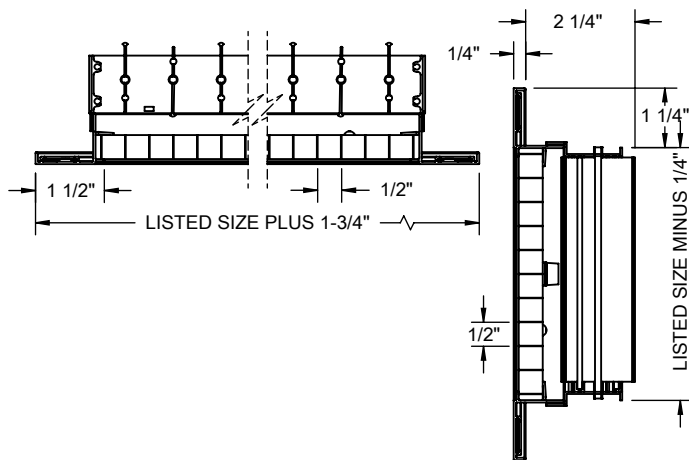
FINISH - W (WHITE PAINTED)



FACE VIEW



MODEL - WGAG5



MODEL - WGAG5 - OPPOSED BLADE DAMPER

DWG NO.

02HV041B

JOB NAME: _____

ENGINEER: _____

DATE:

6/19/15

LOCATION: _____

CONTRACTOR: _____

ARCHITECT: _____

FINISH: _____