

### SIDEWALL SUPPLY GRILLE

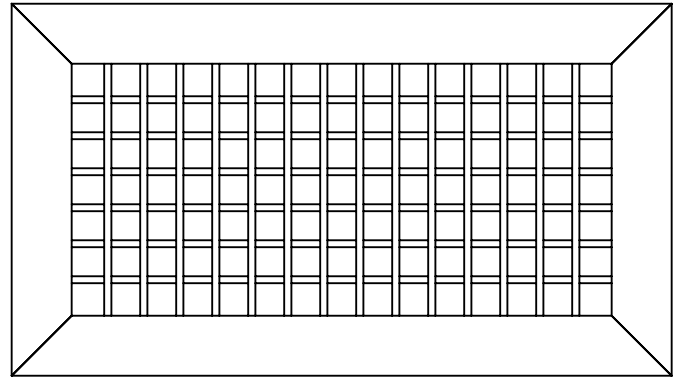
2 SETS OF INDIVIDUALLY ADJUSTABLE BLADES  
FRONT BLADES IN VERTICAL POSITION

MINIMUM SIZE: 6" WIDTH x 4" HEIGHT

MAXIMUM SIZE: 96" WIDTH x 48" HEIGHT

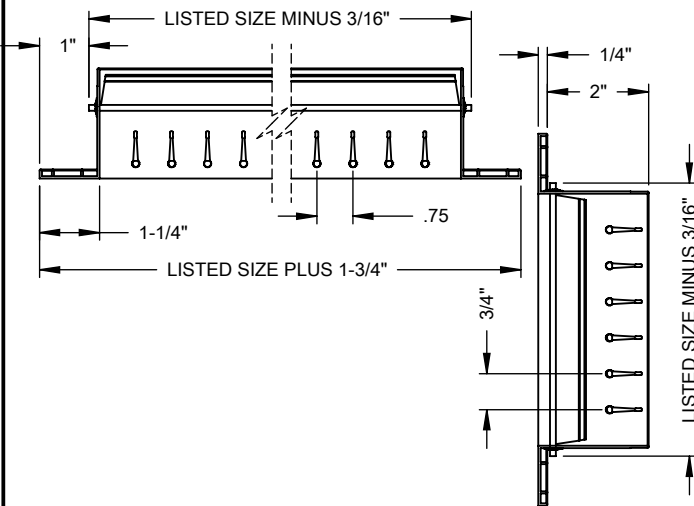
EXTRUDED ALUMINUM; 6063-T5

FINISH - SA (CLEAR ANODIZE) OR W (WHITE PAINTED)

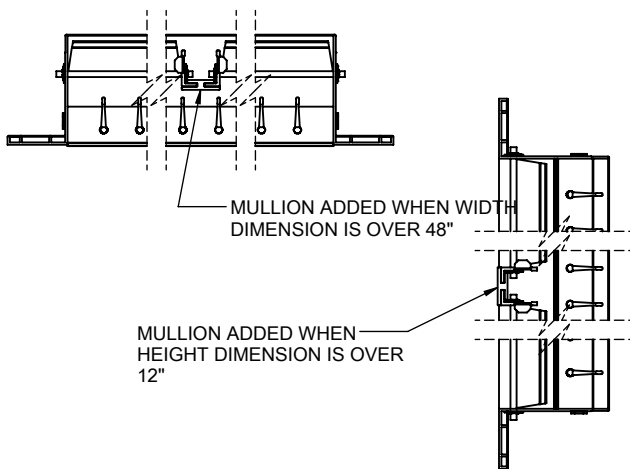


WG2V

FACE VIEW



MODEL - WG2V - 3/4" BLADE SPACING - GRILLE



BLADE SUPPORT DETAIL

DWG NO.

02HV018B

JOB NAME: \_\_\_\_\_

ENGINEER: \_\_\_\_\_

DATE:

6/22/15

LOCATION: \_\_\_\_\_

CONTRACTOR: \_\_\_\_\_

ARCHITECT: \_\_\_\_\_

FINISH: \_\_\_\_\_

### SIDEWALL SUPPLY GRILLE

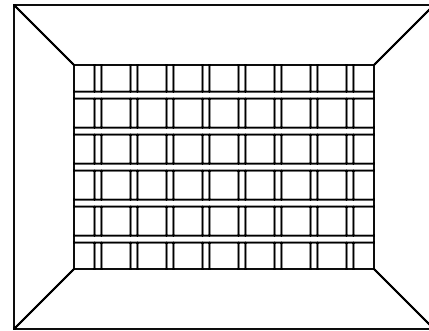
2 SETS OF INDIVIDUALLY ADJUSTABLE BLADES  
IN HORIZONTAL POSITION

MINIMUM SIZE: 6" WIDTH x 4" HEIGHT

MAXIMUM SIZE: 96" WIDTH x 48" HEIGHT

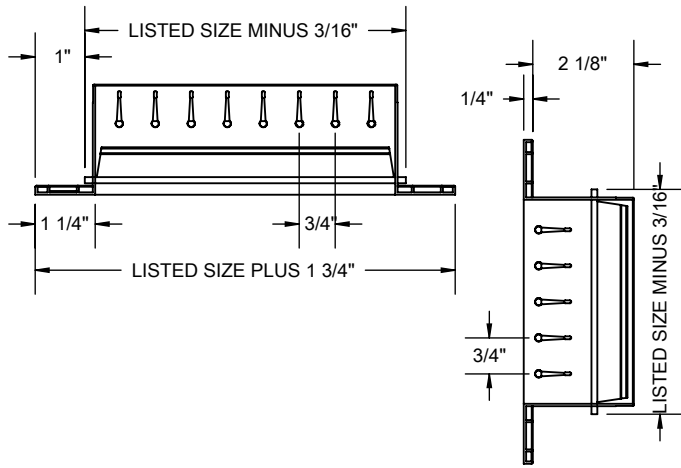
EXTRUDED ALUMINUM; 6063-T5

FINISH - SA (CLEAR ANODIZE) OR W (WHITE PAINTED)

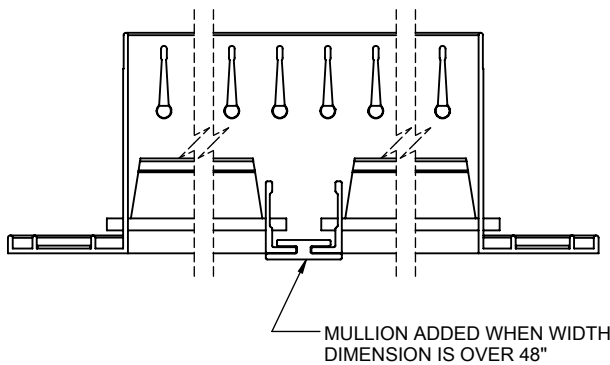


WG2H

FACE VIEW



MODEL - WG2H - 3/4" BLADE SPACING - GRILLE



BLADE SUPPORT DETAIL

DWG NO.

02HV020B

DATE:

6/22/15

JOB NAME: \_\_\_\_\_

LOCATION: \_\_\_\_\_

ARCHITECT: \_\_\_\_\_

ENGINEER: \_\_\_\_\_

CONTRACTOR: \_\_\_\_\_

FINISH: \_\_\_\_\_