

SIDEWALL SUPPLY GRILLE

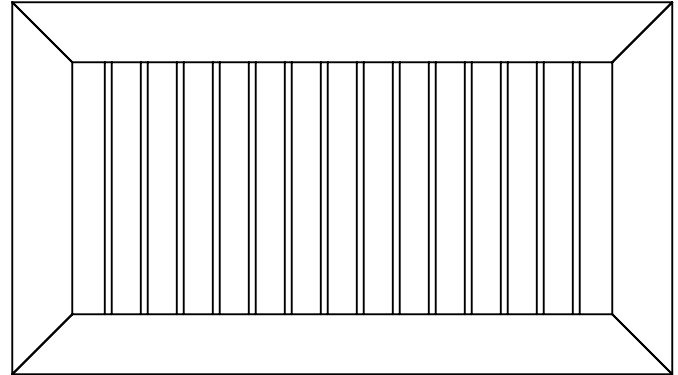
1 SET OF INDIVIDUALLY ADJUSTABLE BLADES
IN VERTICAL POSITION

MINIMUM SIZE: 6" WIDTH x 4" HEIGHT

MAXIMUM SIZE: 96" WIDTH x 48" HEIGHT

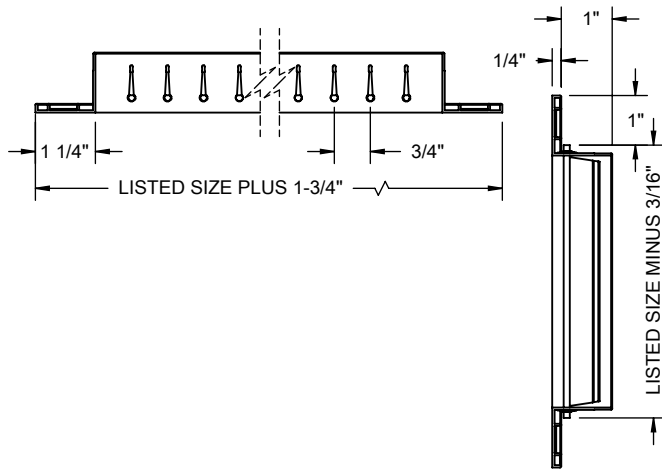
EXTRUDED ALUMINUM; 6063-T5

FINISH - SA (CLEAR ANODIZE) OR W (WHITE PAINTED)

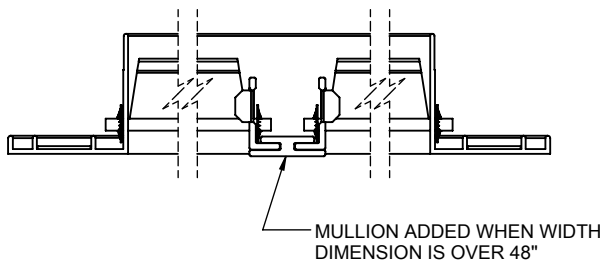


WG1V

FACE VIEW



MODEL - WG1V - 3/4" BLADE SPACING - GRILLE



BLADE SUPPORT DETAIL

DWG NO.

02HV017B

DATE:

6/22/15

JOB NAME: _____

LOCATION: _____

ARCHITECT: _____

ENGINEER: _____

CONTRACTOR: _____

FINISH: _____

SIDEWALL SUPPLY GRILLE

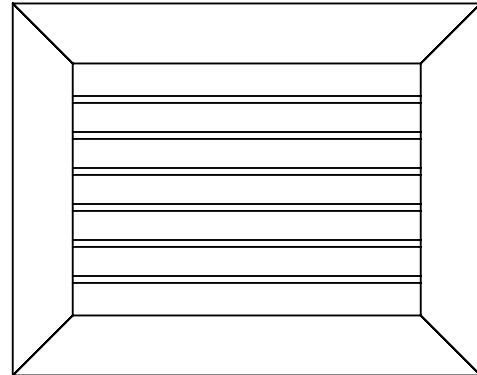
1 SET OF INDIVIDUALLY ADJUSTABLE BLADES
IN HORIZONTAL POSITION

MINIMUM SIZE: 6" WIDTH x 4" HEIGHT

MAXIMUM SIZE: 96" WIDTH x 48" HEIGHT

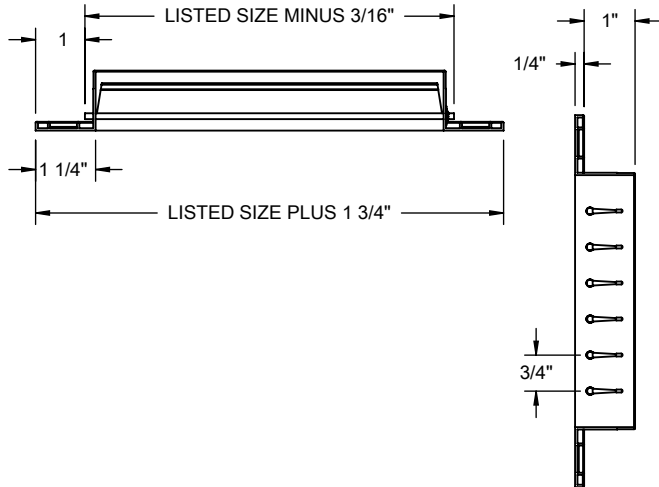
EXTRUDED ALUMINUM; 6063-T5

FINISH - SA (CLEAR ANODIZE) OR W (WHITE PAINTED)

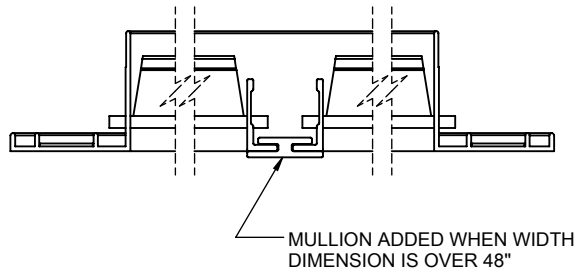


WG1H

FACE VIEW



MODEL - WG1H - 3/4" BLADE SPACING - GRILLE



BLADE SUPPORT DETAIL

DWG NO.

02HV019B

JOB NAME: _____

ENGINEER: _____

DATE:

6/22/15

LOCATION: _____

CONTRACTOR: _____

ARCHITECT: _____

FINISH: _____