

SUBMITTAL SHEET



Nº DLAI

Rev. 2

Ceiling Diffuser - Aluminum Louvered Face Directional Fixed Air Pattern, Insulated Back

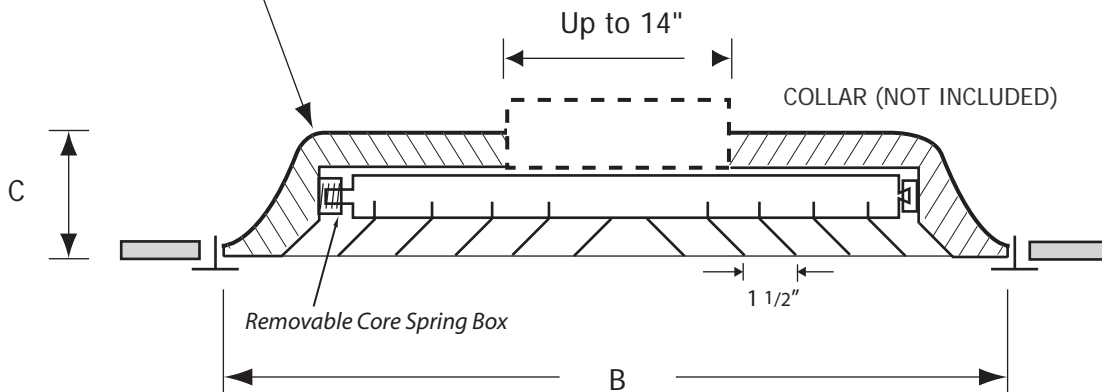
Material: Heavy gauge aluminum and molded fiberglass.
Finish: Powder paint coating - white.
Mounting: Lay-in T-bar ceiling.



DLAI

R6 fiberglass back complies with A.S.T.M. E84 flame and smoke test.

Scored for collar sizes up to 14" D.
 Contractor to install job-specific collar in field.



Core Selection				
W1 1 Way	WC 2 Way Corner	WO 2 Way Opposed	W3 3 Way	W4 4 Way

Finish	
<input type="checkbox"/> White	<input type="checkbox"/> Custom <small>(please specify)</small>



Model #	Face Dim B x B	C
DLAI	23 3/4" x 23 3/4"	3 7/8"

Project: _____

Architect: _____

Engineer: _____

Contractor: _____

All dimensions in inches