

# SUBMITTAL SHEET



N° ALS2PL / ALS2PLH / ALS2PLIN / ALS2PLHIN

Rev. 1

## Plenums for ALS20/27 - 1/2" Slot Diffusers and Returns

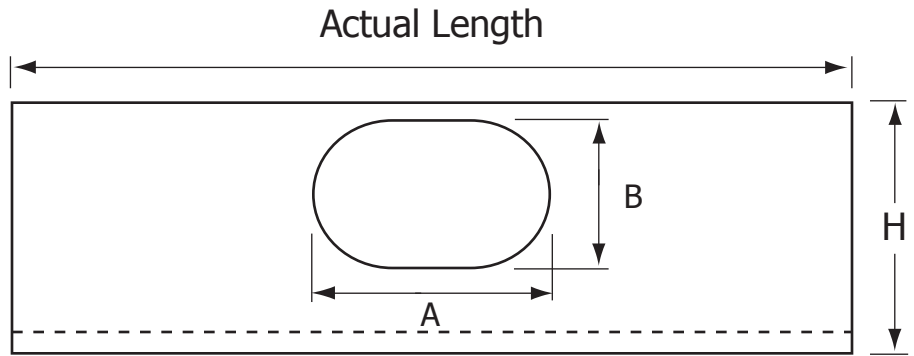
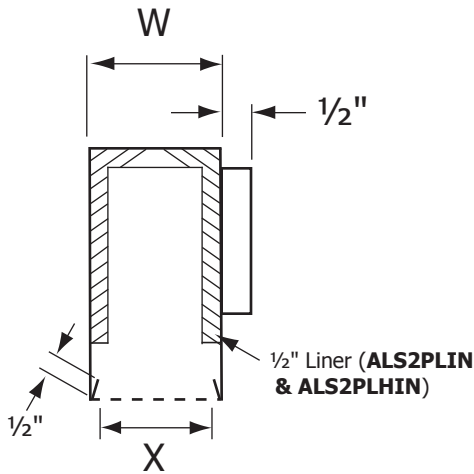
**Material:** 24 gauge galvalneal

**ALS2PL**  
H = 8"

**ALS2PLIN - 1/2" Liner Insulation**  
H = 8"

**ALS2PLH**  
H = 11"

**ALS2PLHIN - 1/2" Liner Insulation**  
H = 11"



ALS20/27 Mounting		
<input type="checkbox"/> -E Surface	Actual Length =	Nominal Length
<input type="checkbox"/> -T T-Bar	Actual Length =	Nominal Length - 1 1/8"

✓		Inlet Size	A	B
	-04	4"	4"	4"
	-05	5"	5"	5"
	-06	6"	6 1/4"	5 1/4"
	-08	8"	9 3/8"	5 1/4"
	-10	10"	12 1/2"	5 1/4"
	-12*	12"	14 1/8"	7 7/8"

\* 12" oval neck available only with 11" high plenums

✓	NO. OF SLOTS	W	X
	01	2 3/16"	1 13/16"
	02	3 3/8"	3"
	03	4 9/16"	4 3/16"
	04	5 3/4"	5 3/8"
	05	6 15/16"	6 9/16"
	06	8 1/8"	7 3/4"
	07	9 5/16"	8 15/16"
	08	10 1/2"	10 1/8"

Job: \_\_\_\_\_

Architect: \_\_\_\_\_

Engineer: \_\_\_\_\_

Contractor: \_\_\_\_\_