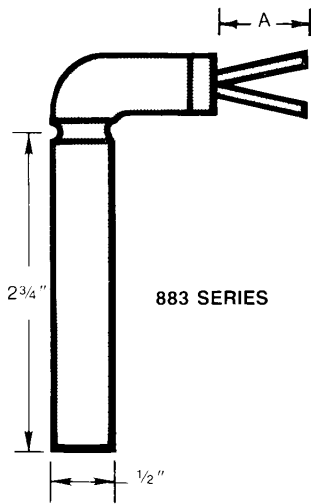
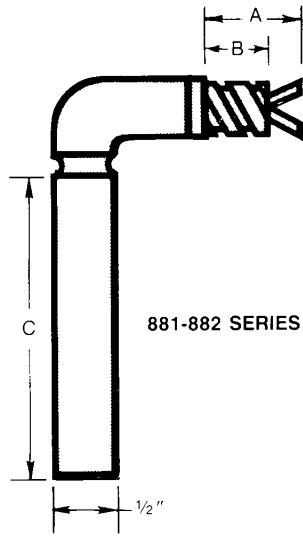


EXACT REPLACEMENT CRANKCASE HEATERS 881, 882 & 883 SERIES



MOUNTING CLIP
NO. 882-C

PART NO.	WATTS	VOLTS	"A"	"B"	"C"	CARRIER NO.	COPELAND NO.
881-1	125	120	48	28	2 3/4	HT36FL363	
881-2	125	120	51	36	2 3/4	HT36FL374	
881-3	125	120	63	28	2 3/4	HT36FL375	
881-4	125	120	67	52	2 3/4	HT36FL376	
881-5	125	120	13	9	2 3/4	HT36FL377	
881-6	125	120	15	10	2 3/4	HT36FL378	
881-7	125	120	73	52	2 3/4	HT36FL379	
881-8	125	240	48	28	2 3/4	HT36FL463	
881-9	125	240	51	36	2 3/4	HT36FL474	
881-10	125	240	63	28	2 3/4	HT36FL475	
881-11	125	240	67	52	2 3/4	HT36FL476	
881-12	125	240	13	9	2 3/4	HT36FL477	
881-13	125	240	15	10	2 3/4	HT36FL478	
881-14	125	240	73	52	2 3/4	HT36FL479	
881-17	200	120	25	19	3 1/2		018-0021-00
881-18	200	240	25	19	3 1/2		018-0021-01
881-19	125	120	24	19	2 3/4	HT36DL172	
881-20	125	240	24	19	2 3/4	HT36DL472	
881-21	75	120	24	19	2 3/4	HT36DK132	
881-23	200	480	25	19	3 1/2		
882-1	75	120	36	24	2 3/4	HT36ES363	
882-2	75	240	36	24	2 3/4	HT36ES463	
882-3	75	120	44	24	2 3/4	HT36ES374	
882-4	75	240	44	24	2 3/4	HT36ES474	
882-5	75	120	51	36	2 3/4	HT36FS364	
882-6	75	120	51	36	2 3/4	HT36FS374	
882-7	75	240	51	36	2 3/4	HT36FS474	
882-8	75	240	51	36	2 3/4	HT36FS464	
882-9	75	120	67	52	2 3/4	HT36JS366	
882-10	75	120	67	52	-	HT36JS376	
882-11	75	240	67	52	2 3/4	HT36JS476	
882-12	75	240	67	52	2 3/4	HT36JS466	
882-13	75	120	80	60	2 3/4	HT36LS377	
882-14	75	120	80	60	2 3/4	HT36LS477	
882-15	75	120	87	72	2 3/4	HT36NS367	
882-16	75	240	87	72	2 3/4	HT36NS467	
882-17	75	120	87	72	2 3/4	HT36NS377	
882-18	75	240	87	72	2 3/4	HT36NS477	
882-19	75	240	42	30	2 3/4	5813301	
882-20	75	240	51	36	2 3/4	5813302	
882-21	75	240	39	27	2 3/4	5813303	
883-1	75	240	38	-	-	HT36XS575	
883-2	75	240	48	-	-	HT36XS573	
883-3	75	120	37	-	-	HT36XS120	

NOTE: Mounting clips are available. Specify 882-C when ordering.



UL RECOGNIZED