



FIRE DAMPER

MODEL:
75DV/DH (1-1/2 HR rating)



APPLICATION

The model 75D is a Lloyd Industries' fire damper. It is approved for use in walls, floors, and partitions with fire resistance ratings less than 1-1/2 hours. This model carries a 1-1/2 hour UL fire damper label.

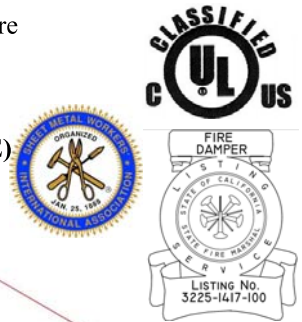
RATING:

UL CLASSIFIED: UL 555 Fire Resistance Rating
Fire resistance rated 1-1/2 Hours
Partitions materials rated 2 Hours or less

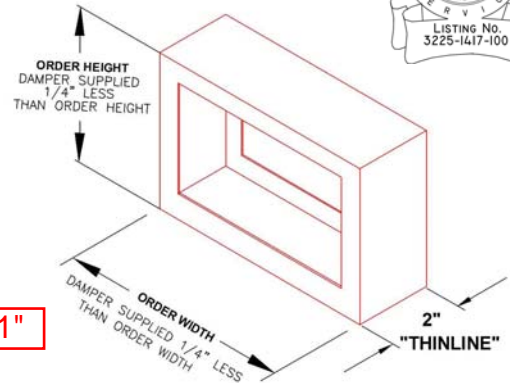
Standard Construction

- Frame: 22 ga. Galvanized Steel
- Blade: 22 ga. Galvanized Steel
- Closure Spring: Stainless Steel
- Fusible Link: 165°F
- Mounting: Horizontal or Vertical

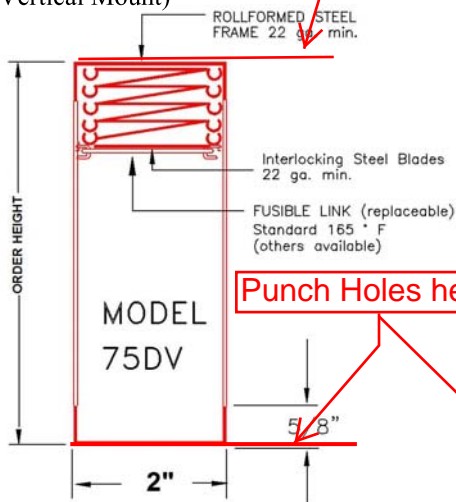
Model 75D meets the requirements for fire dampers established by:
CSFM California State Fire Marshal
Fire Damper Listing (#3225-1417:102)
New York City (MEA listing #215-99-E)



	Single Section	
	Minimum Size (WxH)	Maximum Size (WxH)
Vertical	4"x4"	48"x49"
Horizontal	4"x4"	41"x36"

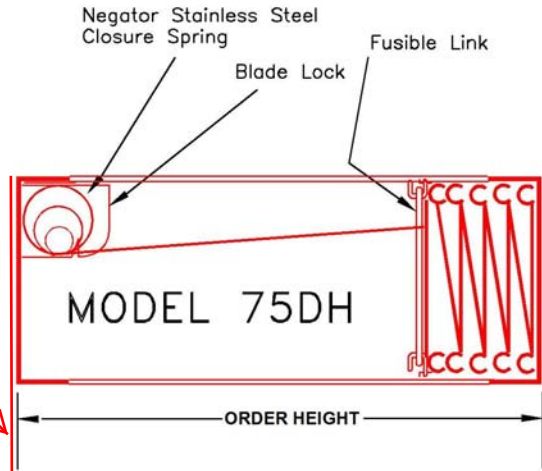


Model: 75DV
(Vertical Mount)



easy mount 22 ga. sleeve 1"

Model: 75DH
(Horizontal Mount)



Easy mount 22 ga. Sleeve 1"

Punch Holes here

Note:
*Please see "B" PAN Sizing Chart for the "B" PAN Height.
Damper supplied 1/4" less than order Width and Height.

