

Project:
 Tag:
 Engineer:
 Contractor:
 Date:

METALAIRE™

Submittal: 6600R-50-52-1



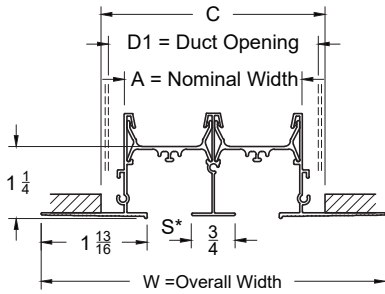
WebREPS
 800-810-3280

**Linear Slot Diffuser - Extruded Aluminum
 Return - No Pattern Controller**

Slots: 3/4" (6675) 1" (6610) and 1 1/2" (6615)

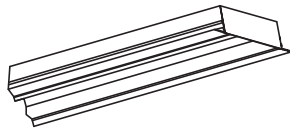
Models: 6600R-50-1 Surface Mount - No Hardware/Tape and Spackle
 6600R-52-1 Concealed Surface Mount - With Hardware/Tape and Spackle

**Model: 6600R-50-1 (Surface Mount
 - No Hardware/Tape and Spackle)**

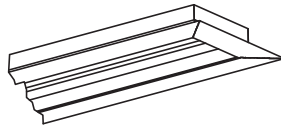


* Recommended Face Screw Mount for 50-1, Screw Holes not Provided

End Cap

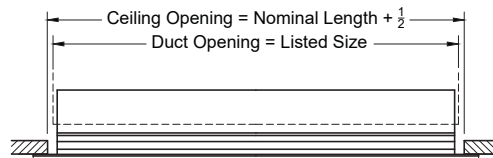
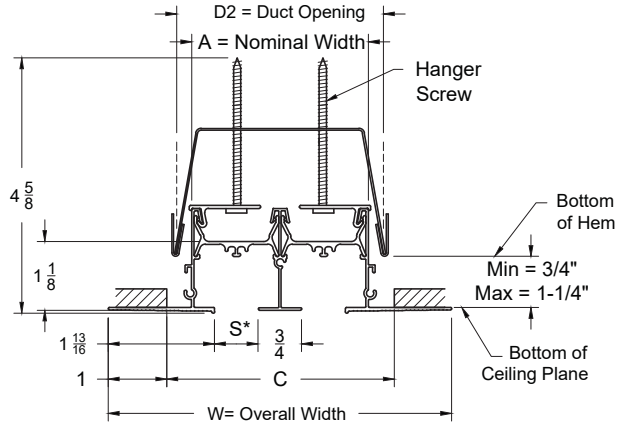


Mitered Border



Air Deflection Patterns

**Model: 6600R-52-1 (Concealed Surface Mount
 - 1 13/16" Border - With Hardware)**



Overall Length = Listed Size + 2

* For Slot Sizes Available See Tables

Model 6675R (50-1 & 52-1)				
S=3/4"	Number Of Slots			
Slot	1	2	3	4
A	1 5/8"	3 1/16"	4 9/16"	6 1/16"
D1	2"	3 1/2"	5"	6 1/2"
D2	2 1/2"	4"	5 1/2"	7"
C	2 3/8"	3 7/8"	5 3/8"	6 7/8"
W	4.375	5 7/8"	7 3/8"	8 7/8"

Model 6610R (50-1 & 52-1)				
S=1"	Number Of Slots			
Slot	1	2	3	4
A	1 3/4"	3 9/16"	5 5/16"	7 1/16"
D1	2 1/4"	4"	5 3/4"	7 1/2"
D2	2 3/4"	4 1/2"	6 1/4"	8"
C	2 5/8"	4 3/8"	6 1/8"	7 7/8"
W	4 3/4"	6 3/8"	8 1/8"	9 7/8"

Model 6615R (50-1 & 52-1)				
S=1 1/2"	Number Of Slots			
Slot	1	2	3	4
A	2 1/4"	4 9/16"	6 13/16"	9 1/16"
D1	2 3/4"	5"	7 1/4"	9 1/2"
D2	3 1/4"	5 1/2"	7 3/4"	10"
C	3 1/8"	5 3/8"	7 5/8"	9 7/8"
W	5 1/4"	7 3/8"	9 5/8"	11 7/8"

Notes: (check if provided)

1. Available Finishes	2. Available Accessories	3. Available Options	4. Construction Details
Standard Finish: <input type="checkbox"/> 20 White frame. Optional Finishes (additional charge) <input type="checkbox"/> 28 Custom Color / Setup Charge	Boot Plenums Available <input type="checkbox"/> UP - Non-Insulated Boot Plenums <input type="checkbox"/> UPI - Insulated Boot Plenums		<ul style="list-style-type: none"> • Sizes available in only 1-4 slots. • Longest single section is 96" • Continuous lengths are made in sections.