



MODEL 6600-52

LINEAR SLOT DIFFUSER - EXT. ALUM. - PATTERN CONTROLLER - CONCEALED SURFACE MOUNT

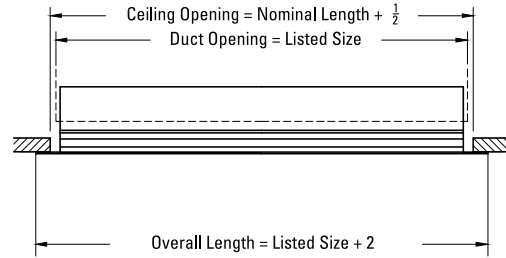
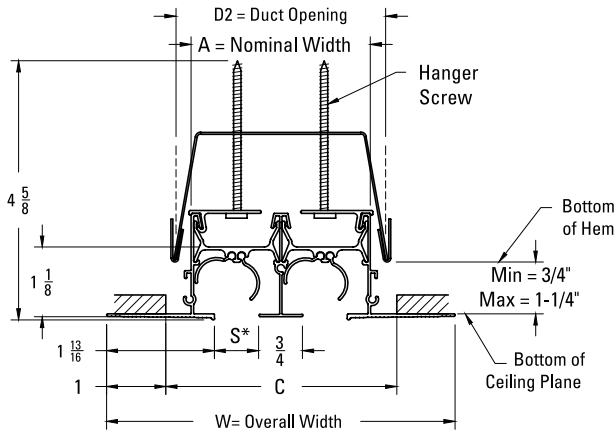
Project: _____
 Tag: _____
 Engineer: _____
 Contractor: _____
 Date: _____

MODELS

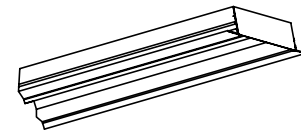
- 6675-52-1: w/ Hardware - Tape & Spackle - 3/4" Slot
- 6610-52-1: w/ Hardware - Tape & Spackle - 1" Slot

6615-52-1: w/ Hardware - Tape & Spackle - 1-1/2" Slot

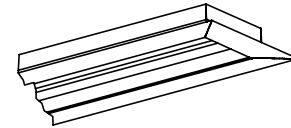
6600-52-1 (Concealed Surface Mount - 1 13/16" Border - w/ Hardware - Tape & Spackle)



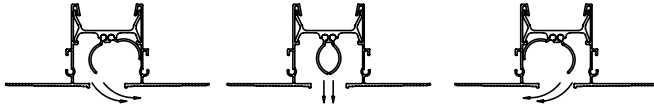
End Cap (EC)



Mitered Border (M)



Air Deflection Patterns



* For Slot Sizes Available See Tables

Model 6675 - 52-1				
S=3/4"	Number Of Slots			
Slot	1	2	3	4
A	1 9/16"	3 1/16"	4 9/16"	6 1/16"
D1	2	3 1/2"	5"	6 1/2"
D2	2 1/2"	4"	5 1/2"	7"
C	2 3/8"	3 7/8"	5 3/8"	6 7/8"
W	4 1/2"	5 7/8"	7 3/8"	8 7/8"

Model 6610-52-1				
S=1"	Number Of Slots			
Slot	12	3	4	
A1	3/4	3 9/16"	5 5/16"	7 1/16"
D1	2 1/4	4"	5 3/4"	7 1/2"
D2	2 3/4	4 1/2"	6 1/4"	8"
C2	5/8"	4 3/8"	6 1/8"	7 7/8"
W4	3/4	6 3/8"	8 1/8"	9 7/8"

Model 6615 - 52-1				
S=1 1/2"	Number Of Slots			
Slot	1	2	3	4
A	2 1/4	4 9/16"	6 13/16"	9 1/16"
D1	2 3/4	5"	7 1/4"	9 1/2"
D2	3 1/4	5 1/2"	7 3/4"	10"
C	3 1/8"	5 3/8"	7 5/8"	9 7/8"
W	5 1/4	7 3/8"	9 5/8"	11 7/8"

All Dimensions are in Inches.

1. Available Finishes	2. Available Accessories	3. Available Options	4. Construction Details
Standard Finish: 20 White Frame with black pattern controller	UPI - Insulated Plenum		<ul style="list-style-type: none"> Sizes available in only 1-4 slots. Longest single section is 96". Continuous lengths are made in sections.

As part of our continuous improvement program, we reserve the right to make further improvements without notice.

Submission - 6600-52 - 0820