

6375FD

Stationary Louver

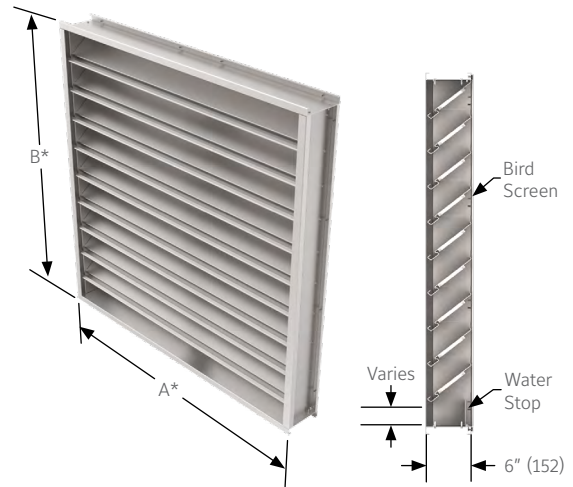
Roll Formed Steel

APPLICATION

The 6375FD is a 6" deep stationary steel louver with low water penetration and pressure drop. It has drain gutters in each blade and downspouts in jambs and mullions to drain water from the louver minimizing water cascade from blade to blade. Architecturally styled hidden mullions allow continuous line appearance up to 120".

STANDARD CONSTRUCTION

Frame	6" (152) deep, 16 (1.6) gauge galvanized steel.
Blades	16 (1.6) gauge galvanized steel. Drain able blades are positioned at 37 1/2° angle and spaced approximately 4 3/4" (121) center to center.
Screen	1/2" mesh x 19 gauge (13 x 1.1) galvanized bird screen in removable frame. Screen adds approximately 1/2" (13) to louver depth.
Finish	Mill.
Minimum Size	12"w x 12"h (305 x 305).
Approximate Shipping Weight	5 lbs. per sq. ft (24.4 kg/m ²).
Maximum Factory Assembly Size	64 square feet (6m ²) per section, not to exceed 120" x 90" (3048 x 2286) or 90" x 120" (2286 x 3048). Louvers larger than the maximum factory assembly size will require field assembly of smaller sections.
Supports	Louvers may be provided with rear mounted blade supports that increase overall louver depth depending on louver size, assembly configuration or windload.



Consult Reliable for additional information.

FEATURES

- 54% Free Area
- Published performance ratings based on testing in accordance with AMCA Publication 511
- Drain gutters in each blade and downspouts in jambs and mullions to drain water from louver for minimum water cascade from blade to blade
- Low pressure drop and low water penetration
- Economical galvanized steel construction

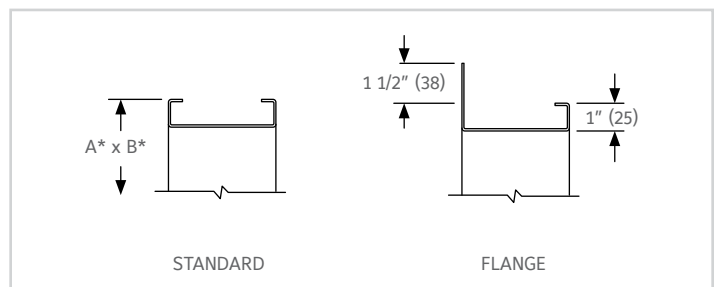
VARIATIONS

Variations to the basic design of this louver are available at additional cost. They include:

- Extended sill
- Hinged frame
- Front or rear security bars
- Filter racks
- Blank off panels
- Universal sleeve
- Installation angles
- A variety of bird and insect screens
- Heavier, 16 gauge (1.6) construction
- Formed stainless steel construction with 18 gauge (1.3) or 16 gauge (1.6) frame and blades
- Selection of finishes: Prime coat, 50% PVDF (modified fluoropolymer), Epoxy, Pearledize 50 and 70, 70% PVDF, Clear and Color Anodized finishes. (Some variations in anodize color consistency is possible)

Consult Reliable for other special requirements.

FRAME CONSTRUCTION



Note:

- Dimensions in inches, parenthesis () indicate millimeters.
- Units can be furnished actual size or with size deducts.



PERFORMANCE DATA

AMCA Standard 500 provides a reasonable basis for testing and rating louvers. Testing to AMCA 500 is performed under a certain set of laboratory conditions. This does not guarantee that other conditions will not occur in the actual environment where louvers must operate.

Designs should provide a reasonable safety factor for louver performance by selecting at some point below pressure drop or water penetration system requirements.

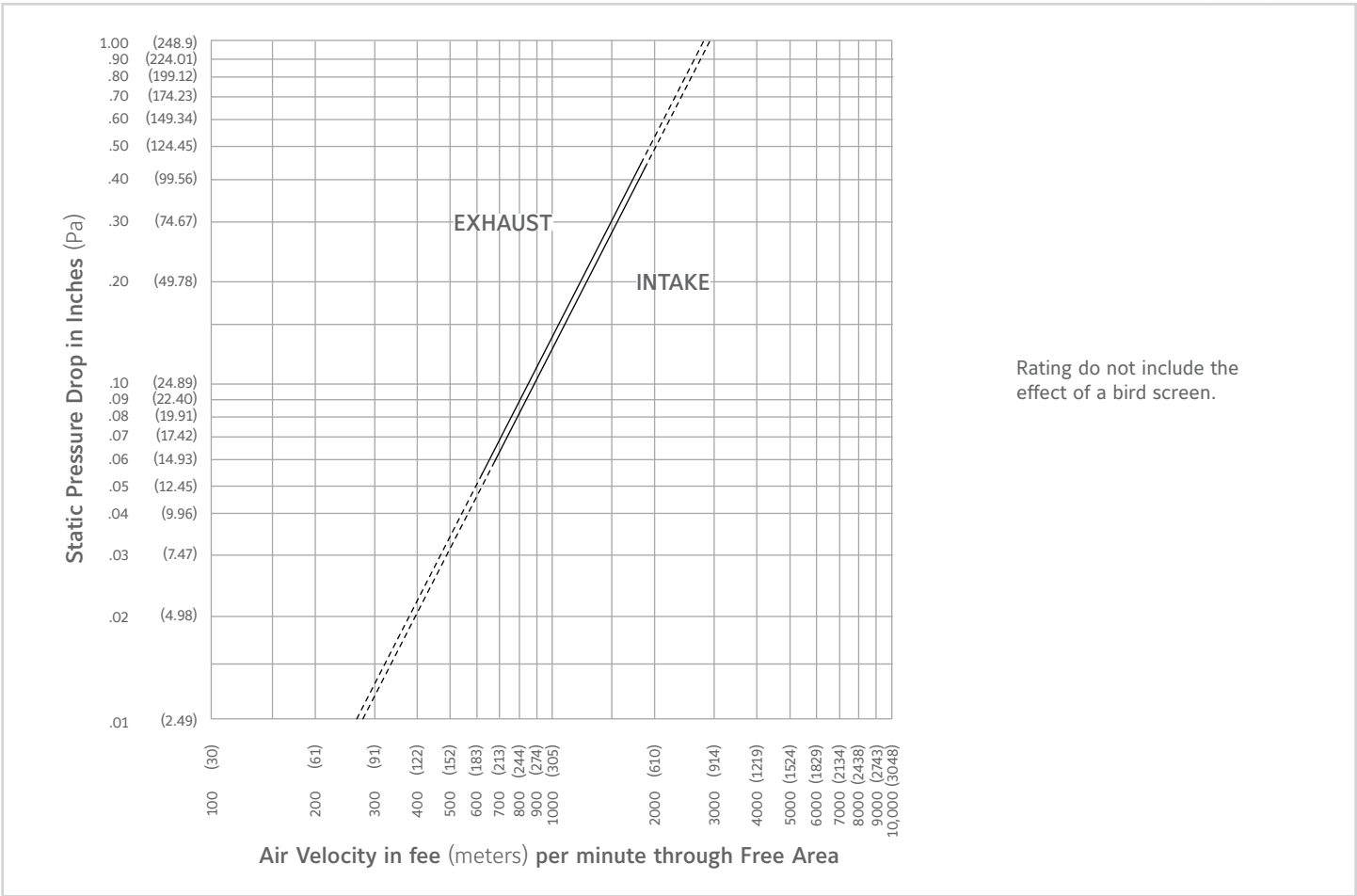
FREE AREA GUIDE

Free Area Guide shows free area in ft² and m² for various sizes of 6375FD.

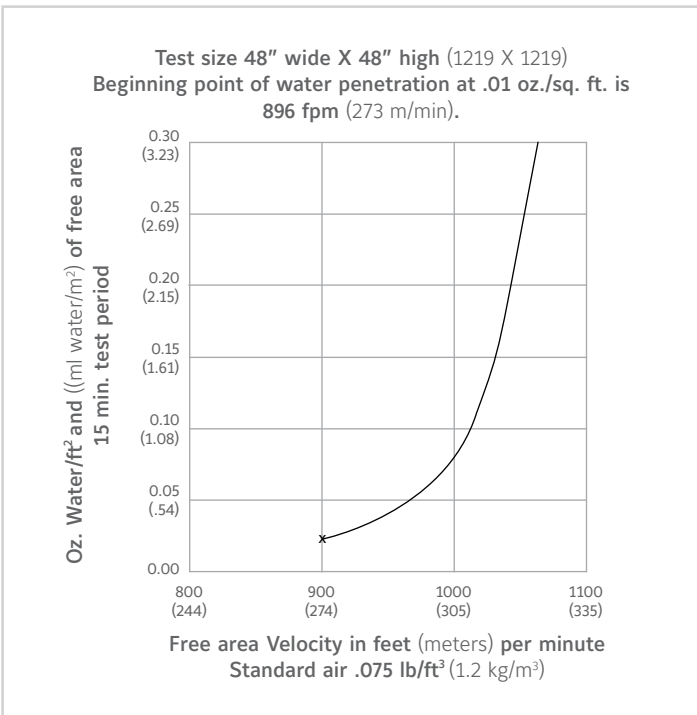
		Width – Inches and Meters																			
		12	18	24	30	36	42	48	54	60	66	72	78	84	90	96	102	108	114	120	
Height – Inches and Meters	12	0.30	0.45	0.60	0.75	0.90	1.05	1.20	1.35	1.50	1.65	1.80	1.95	2.10	2.25	2.40	2.55	2.70	2.85	3.00	
	12	0.02	0.04	0.05	0.07	0.08	0.10	0.11	0.13	0.14	0.16	0.17	0.19	0.20	0.21	0.23	0.24	0.26	0.27	0.29	0.31
	18	0.05	0.08	0.11	0.14	0.17	0.20	0.23	0.26	0.29	0.32	0.35	0.38	0.41	0.44	0.47	0.50	0.53	0.56	0.59	0.63
	24	0.07	0.12	0.16	0.21	0.25	0.30	0.34	0.39	0.43	0.48	0.52	0.57	0.61	0.66	0.71	0.75	0.80	0.84	0.89	0.93
	30	0.10	0.16	0.22	0.28	0.34	0.40	0.46	0.52	0.58	0.64	0.70	0.76	0.82	0.88	0.94	1.00	1.06	1.12	1.18	1.24
	36	0.12	0.20	0.27	0.35	0.42	0.50	0.57	0.65	0.72	0.80	0.87	0.95	1.02	1.10	1.17	1.25	1.32	1.40	1.47	1.54
	42	0.14	0.23	0.33	0.42	0.51	0.60	0.69	0.78	0.87	0.96	1.05	1.14	1.23	1.32	1.41	1.50	1.59	1.68	1.77	1.86
	48	0.17	0.27	0.38	0.49	0.59	0.70	0.80	0.91	1.01	1.12	1.23	1.33	1.44	1.54	1.65	1.76	1.86	1.97	2.07	2.18
	54	0.19	0.31	0.43	0.55	0.67	0.79	0.92	1.04	1.16	1.28	1.40	1.52	1.64	1.76	1.88	2.00	2.12	2.24	2.36	2.48
	60	0.22	0.35	0.49	0.62	0.76	0.90	1.03	1.17	1.30	1.44	1.57	1.71	1.85	1.98	2.12	2.25	2.39	2.53	2.66	2.80
	66	0.24	0.39	0.54	0.69	0.84	1.00	1.15	1.30	1.45	1.60	1.75	1.90	2.05	2.20	2.36	2.51	2.66	2.81	2.96	3.11
	72	0.27	0.43	0.60	0.76	0.93	1.10	1.26	1.43	1.60	1.76	1.93	2.09	2.26	2.43	2.59	2.76	2.93	3.09	3.26	3.42
	78	0.29	0.47	0.65	0.83	1.01	1.19	1.38	1.56	1.74	1.92	2.10	2.28	2.46	2.64	2.82	3.01	3.19	3.37	3.55	3.73
	84	0.31	0.51	0.71	0.90	1.10	1.29	1.49	1.69	1.88	2.08	2.28	2.47	2.67	2.87	3.06	3.26	3.45	3.65	3.85	4.04
	90	0.34	0.55	0.76	0.97	1.18	1.40	1.61	1.82	2.03	2.24	2.45	2.66	2.88	3.09	3.30	3.51	3.72	3.93	4.15	4.36
	96	0.36	0.59	0.81	1.04	1.27	1.49	1.72	1.95	2.17	2.40	2.62	2.85	3.08	3.30	3.53	3.76	3.98	4.21	4.44	4.67
102	0.39	0.63	0.87	1.11	1.35	1.59	1.83	2.08	2.32	2.56	2.80	3.04	3.28	3.53	3.77	4.01	4.25	4.49	4.73	4.97	
108	0.41	0.67	0.92	1.18	1.44	1.69	1.95	2.21	2.46	2.72	2.98	3.24	3.49	3.75	4.01	4.26	4.52	4.78	5.03	5.29	
114	0.43	0.71	0.98	1.25	1.52	1.79	2.07	2.34	2.61	2.88	3.16	3.43	3.70	3.97	4.24	4.52	4.79	5.06	5.33	5.60	
120	0.46	0.74	1.03	1.32	1.61	1.89	2.18	2.47	2.75	3.04	3.33	3.61	3.90	4.19	4.47	4.76	5.05	5.34	5.62	5.91	



PRESSURE DROP



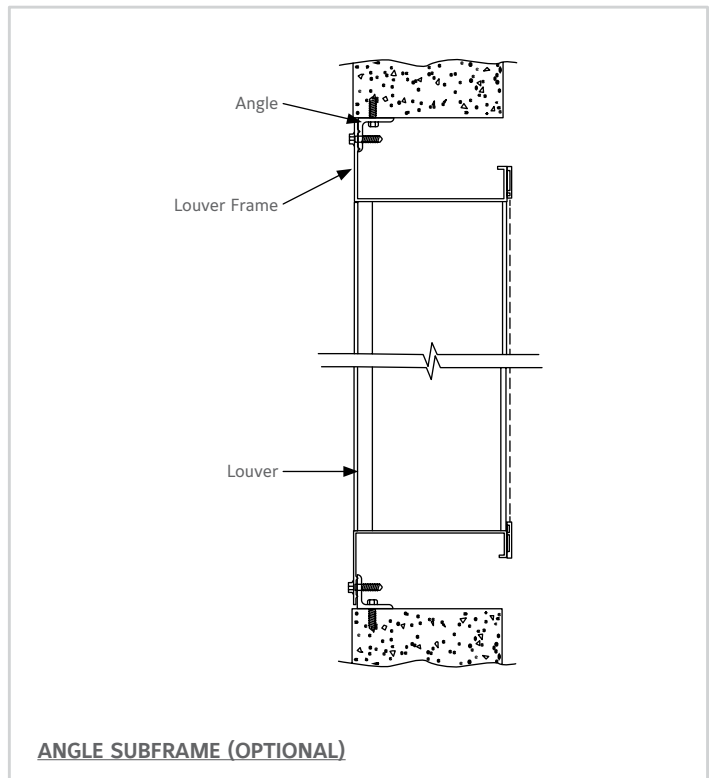
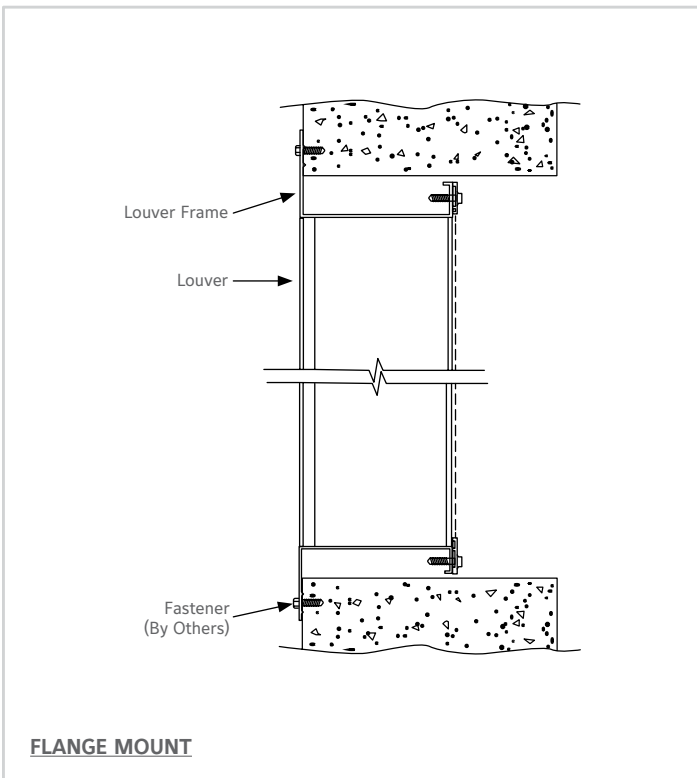
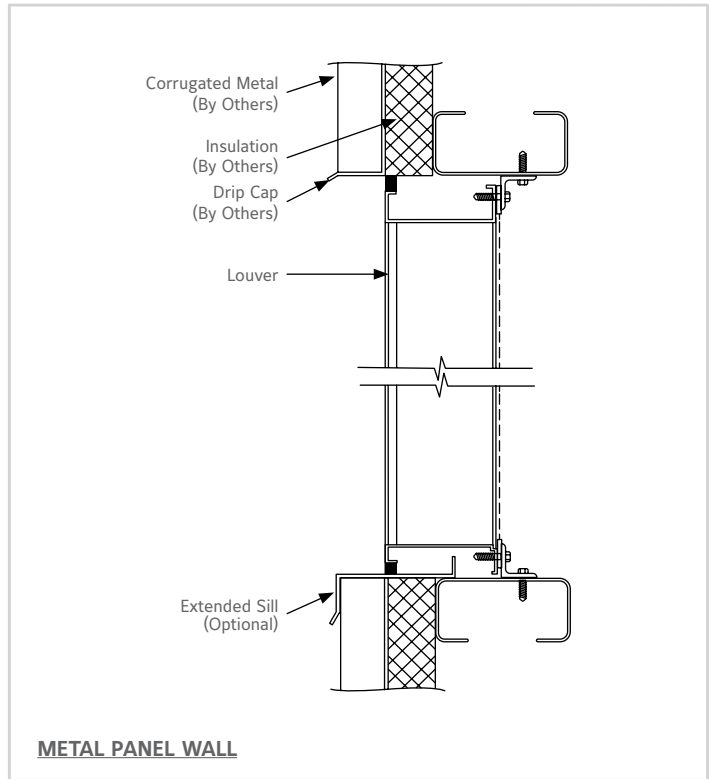
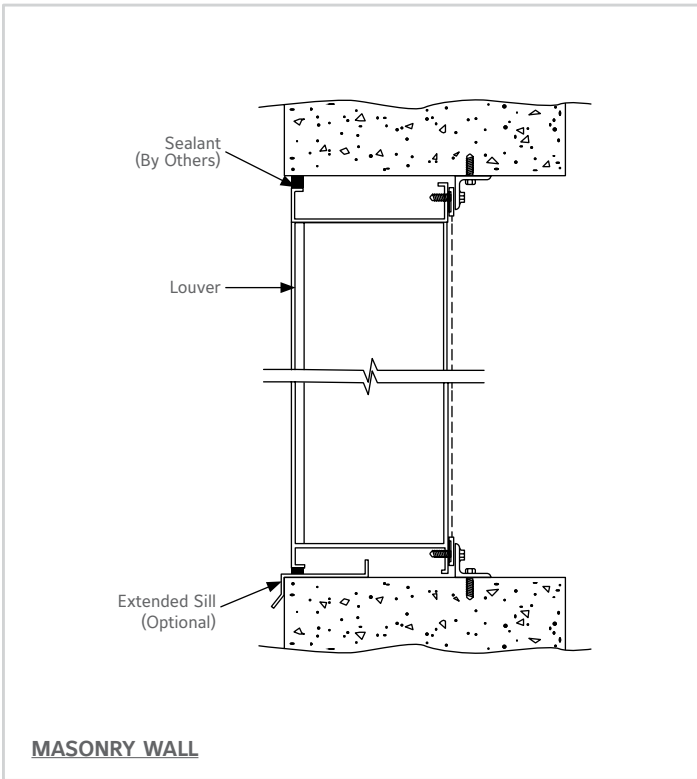
WATER PENETRATION GRAPH



Reliable Products certifies that the 6375FD Louvers shown herein are licensed to bear the AMCA Seal. The ratings shown are based on tests and procedures performed in accordance with AMCA Publication 511 and comply with the requirements of the AMCA Certified Ratings Program. The AMCA Certified Ratings Seal applies to air performance ratings and water penetration ratings only.

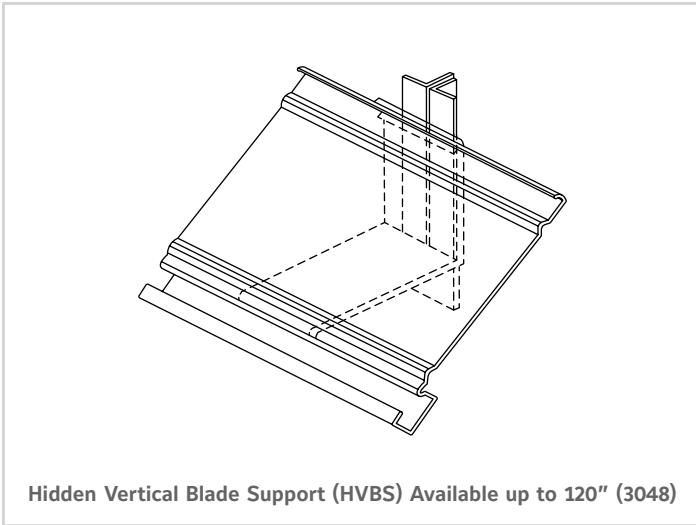


TYPICAL INSTALLATION DETAILS

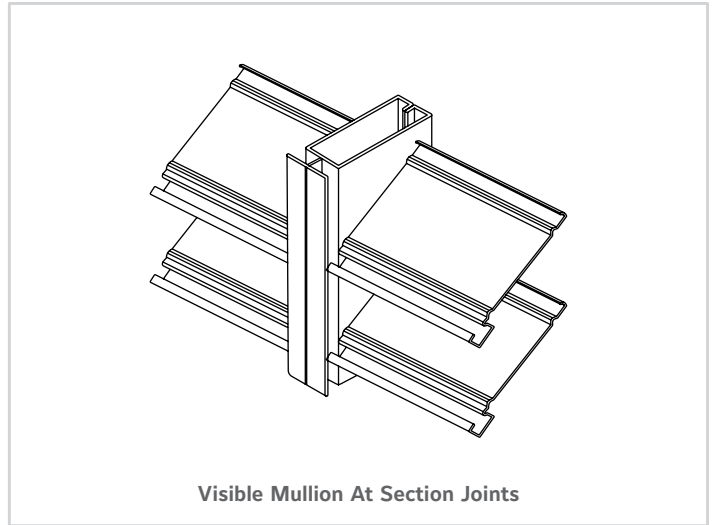




STANDARD CONSTRUCTION DETAILS



Hidden Vertical Blade Support (HVBS) Available up to 120" (3048)



Visible Mullion At Section Joints

SUGGESTED SPECIFICATION

Furnish and install louvers as hereinafter specified where shown on plans or as described in schedules. Louvers shall be stationary drainable type entirely contained within a 6" (152) frame. Louvers shall include a drain gutter in each blade and downspouts in jambs and mullions. Louver components (heads, jambs, sills, blades, and mullions) shall be factory assembled by the louver manufacturer. Louver sizes too large for shipping shall be built up by the contractor from factory assembled louver sections to provide overall sizes required. Louver design shall incorporate structural supports required to withstand a wind load of 30 lbs. per sq. ft. (1.44kPa).

Louvers shall be Reliable Model 6375FD construction as follows:

Frame: 16 gauge (1.6) galvanized steel.

Blades: 16 gauge (1.6) galvanized steel positioned at 37 1/2° angle and spaced approximately 4 3/4" (121) center to center.

Screen: 1/2" mesh x 19 gauge (13 x 1.1) galvanized steel in removable frame.

Finish: Select finish specification from Reliable Finishes Brochure.

Published louver performance data bearing the AMCA Certified Ratings Seal for Air Performance & Water Penetration must be submitted for approval prior to fabrication and must demonstrate pressure drop and water penetration equal to or less than the Reliable model specified.

LINKS TO IMPORTANT DOCUMENTS

Document Title

Finishes and Color Guide

Limited Warranty Document



1300 Enterprise Road, P.O. Box
580, Geneva, Alabama 36340
Tel: 334-684-3621
Tel: 800-624-3914
Fax: 800-508-1469