

445RBID

Automatic Intake Dual Combination Louver Damper

Extruded Aluminum

WebREPS
800-810-3280

RELIABLE

APPLICATION

The 445RBID is a 4" deep, extruded aluminum, combination louver. It includes a fixed front stationary blade and a rear adjustable blade. These blades can be operated closed when the occupant requires a tight air shut off for protection of air intake and exhaust openings in building exterior walls. This louver is designed with a gutter system channeling water from the blades to downspouts in the jambs, where water is exhausted out the front of the louver when rear blades are open.

STANDARD CONSTRUCTION

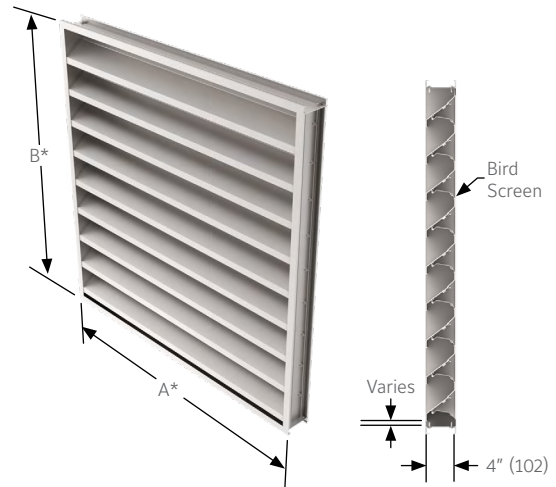
Frame	4" (102) deep, 6063T6 extruded aluminum with .081" (2.1) nominal wall thickness. Caulking surfaces provided.
Blades	Louver blades: 6063T6 extruded aluminum, .094" (2.4) nominal wall thickness. J-style blades (formerly "weatherproof") are positioned at 45° angle. Blade spacing is approximately 5" (127) center to center. Backdraft damper blades: .050" (1.3) extruded aluminum.
Screen	3/4" x .051" (19 x 1.3) expanded, flattened aluminum bird screen in removable frame. Screen adds approximately 1/2" (13) to louver depth.
Seals	Extruded vinyl blade edge seals on rear adjustable blades to provide quiet operation.
Finish	Mill.
Minimum Size	12"w x 12"h (305 x 305).
Approximate Shipping Weight	6 lbs. per sq. ft. (29.3 kg/m ²).
Maximum Factory Assembly Size	Shall be 48"w x 120" h, 32 sq. ft. (1219 x 3048, 3m ²). Louvers larger than the maximum factory assembly size will require field assembly of smaller sections.

FEATURES

- All aluminum construction for low maintenance and high resistance to corrosion
- Approximately 40% free area with backdraft damper blades full open, based on a 48" x 48" (1219 x 1219) size
- Operable blades start to open at .16" w.g. static pressure and are fully open at .25" w.g. static pressure

Note:

- Dimensions in inches, parenthesis () indicate millimeters.
- Units can be furnished actual size or with size deducts.



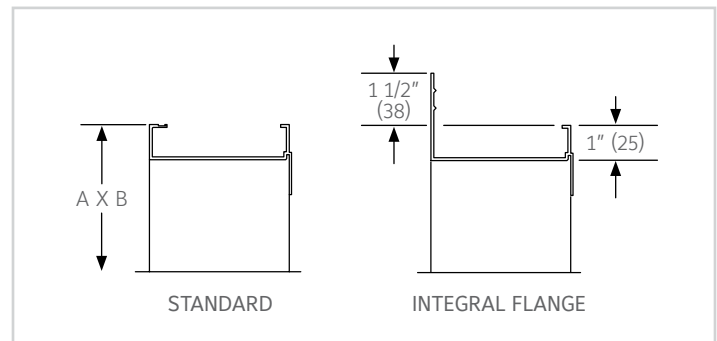
VARIATIONS

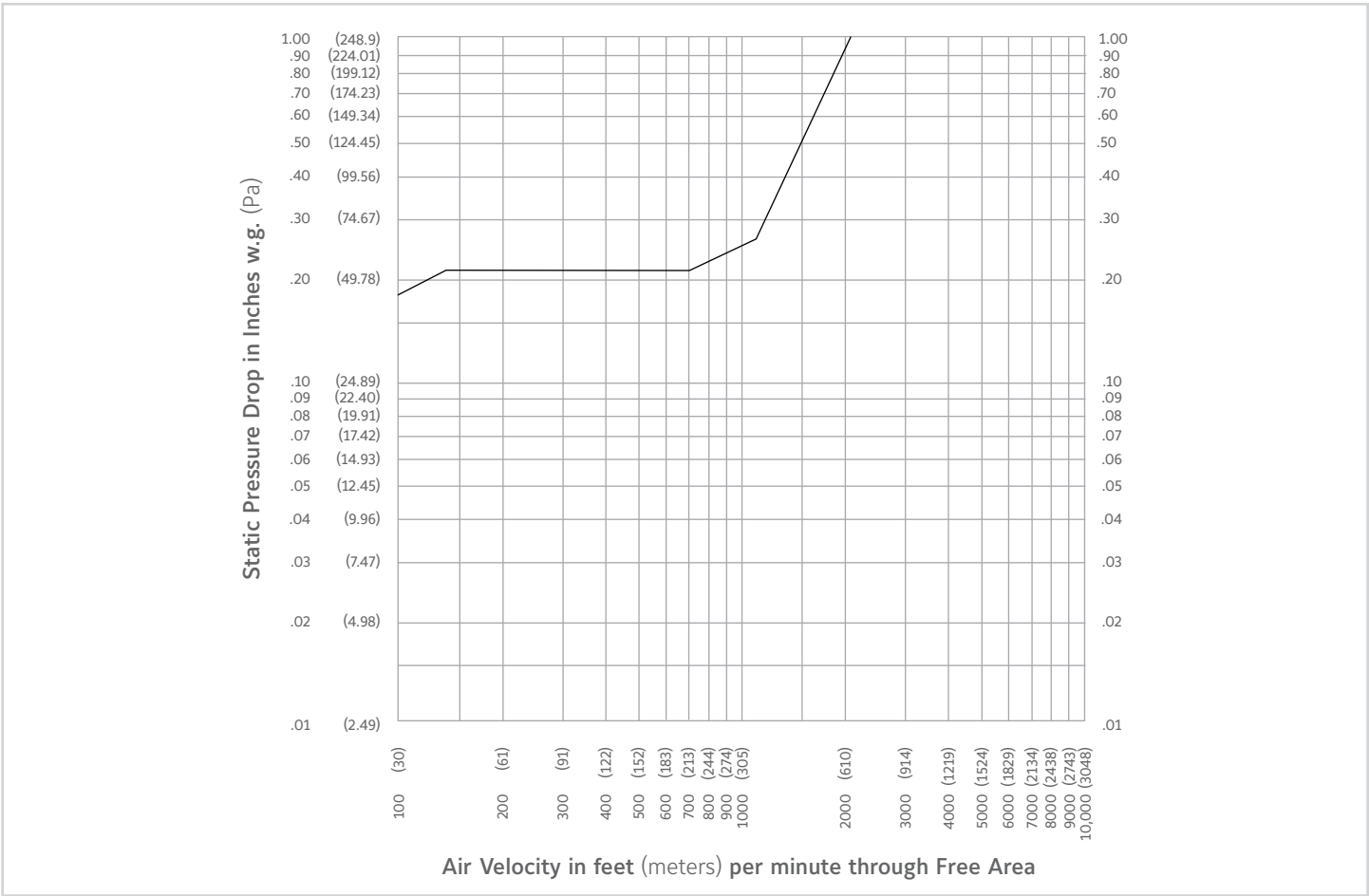
Variations to the basic design of this louver are available at additional cost. They include:

- Extended sill
- Front or rear security bars
- Filter racks
- Installation angles
- Blade edge seals
- A variety of bird and insect screens
- Optional finishes available at additional cost: Prime coat, 50% PVDF (modified fluoropolymer), Epoxy, Pearledize, 70% PVDF, Clear and Anodized finishes. (Some variation in anodize color consistency is possible)

Consult Reliable for other special requirements.

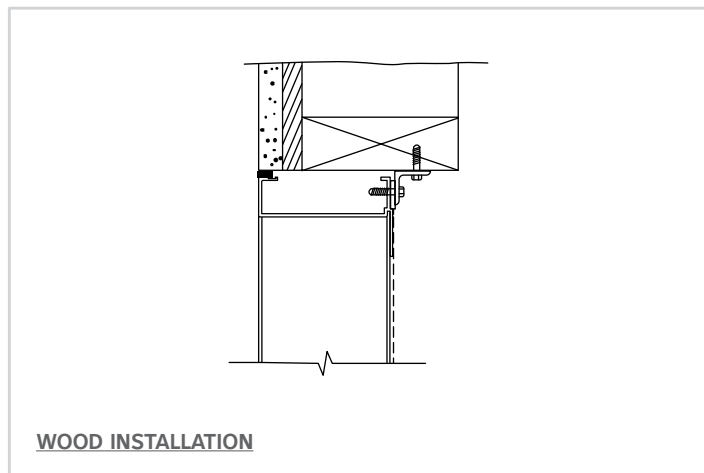
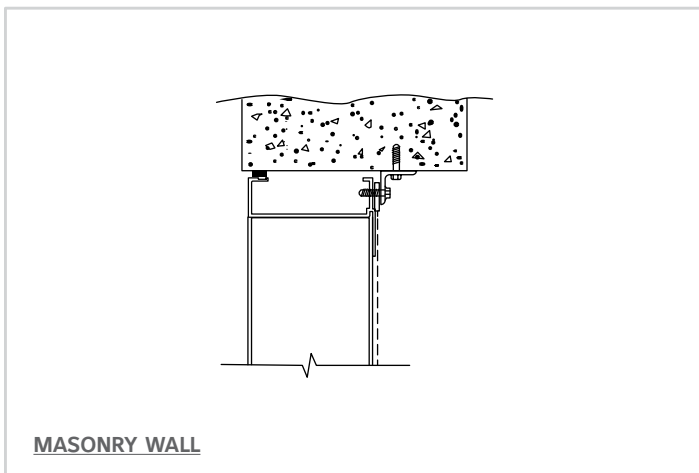
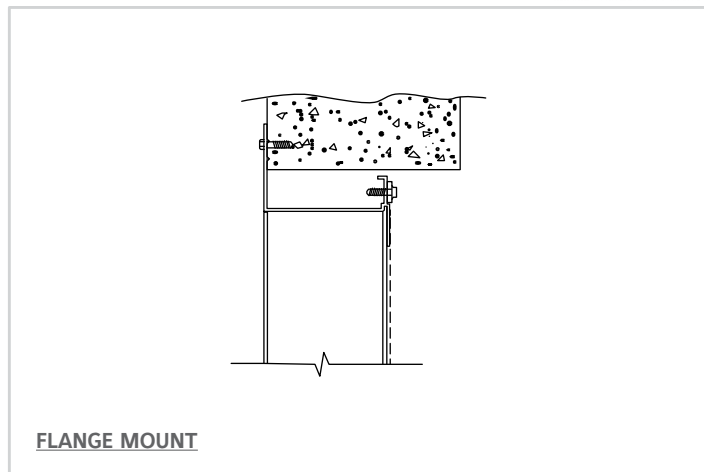
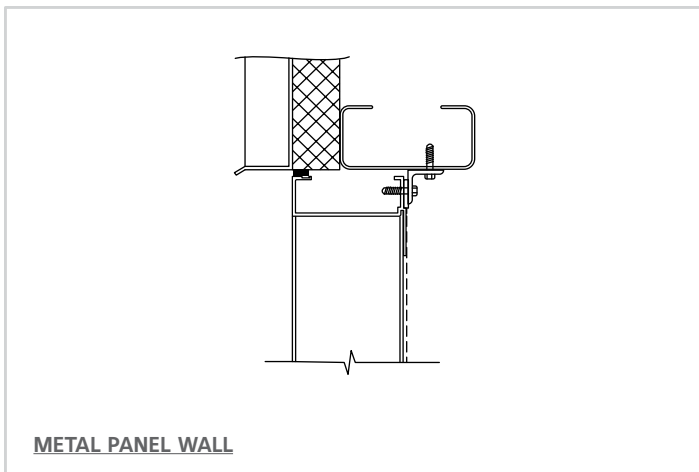
FRAME CONSTRUCTION







TYPICAL INSTALLATION DETAILS



SUGGESTED SPECIFICATION

Furnish and install louvers as hereinafter specified where shown on plans or as described in schedules. Louvers shall be automatic intake dual combination louver damper. Stationary blades with extruded vinyl seals and automatic backdraft blades shall be entirely contained within a 4" (102) frame. Louver components (heads, jambs, sills, blades & mullions) shall be factory assembled by the louver manufacturer. Louver sizes too large for shipping shall be built up by the contractor from factory assembled louver sections to provide overall sizes required. Louver design shall limit single section blade span to 48" (1219) and shall incorporate such other structural supports required to withstand a wind load of 30 lbs. per sq. ft. (1.44kPa) (equivalent of a 110 mph wind [177 KPH] - specifier may substitute any loading required).

Louvers shall be Reliable Model 445RBID construction as follows:

Frame: .081" (2.1) extruded aluminum.

Blades: Stationary blades: .094" (2.4) wall thickness. Automatic backdraft blades: .050" (1.3) extruded aluminum.

Screen: 3/4" x .051" (19 x 1.3) expanded, flattened aluminum bird screen in removable frame.

Finish: Select finish specification from Reliable Finishes Brochure.

Published louver performance data derived from testing in accordance with AMCA 500 must be submitted for approval prior to fabrication and must demonstrate pressure drop equal to or less than the Reliable model specified.

LINKS TO IMPORTANT DOCUMENTS

Document Title

Finishes and Color Guide

Limited Warranty Document

RELIABLE

1300 Enterprise Road, P.O. Box
580, Geneva, Alabama 36340
Tel: 334-684-3621
Tel: 800-624-3914
Fax: 800-508-1469