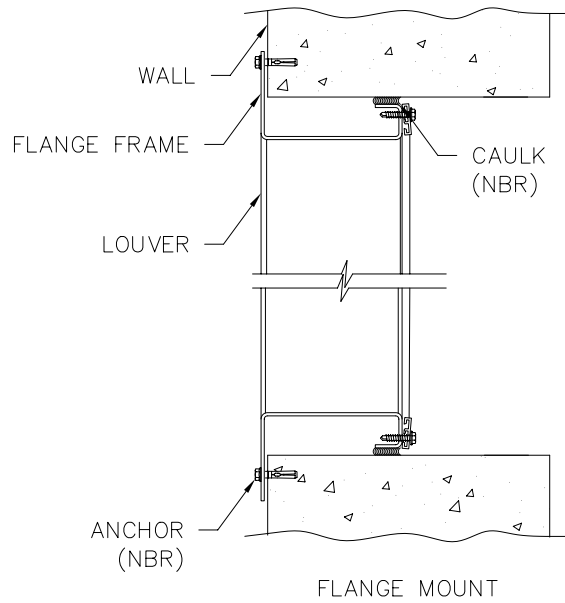
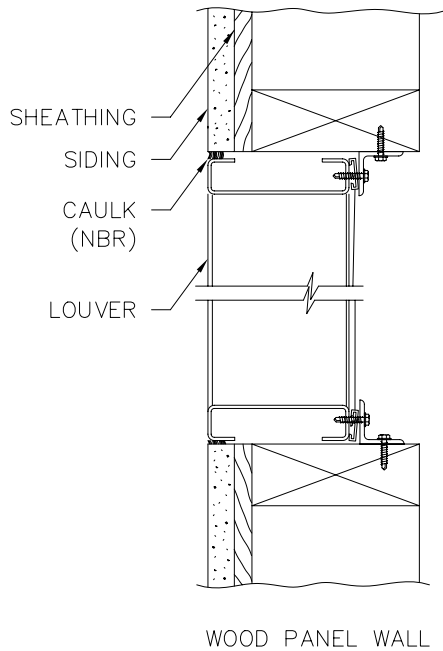
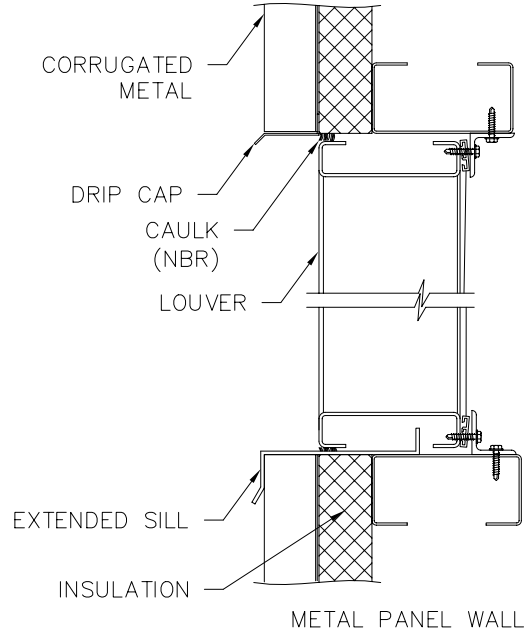
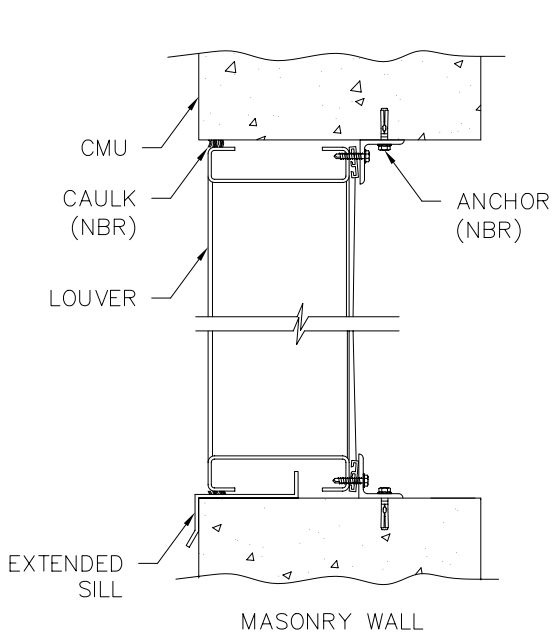


## TYPICAL INSTALLATION DETAILS



MISCELLANEOUS

<b>PROJECT:</b>	<b>LOCATION:</b>
<b>ARCH./ENGR.:</b>	<b>CONTRACTOR:</b>
<b>REPRESENTATIVE:</b>	<b>DATE:</b>