

# 245RB

## Thin Line Stationary Louver

Extruded Aluminum

### APPLICATION

The 245RB is a 2" deep, extruded aluminum, mechanically fastened, thinline drainable, stationary louver designed to protect air intake and exhaust opening on exterior walls. This louver is designed with a drainable gutter system channeling water from the blades to downspouts in the jambs. Here, water is exhausted out of the front of the louver.

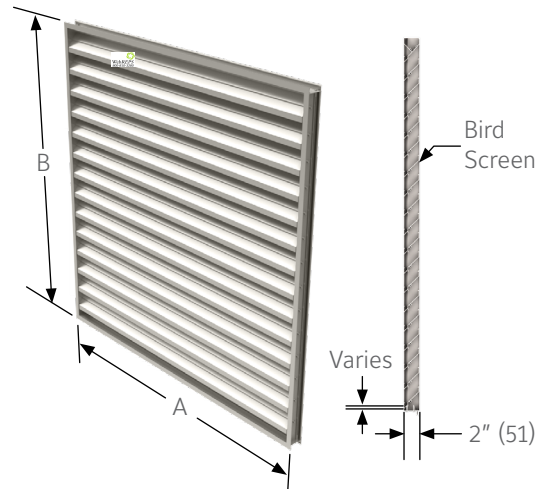
### STANDARD CONSTRUCTION

<b>Frame</b>	2" (51) deep 6063T6 extruded aluminum with .060" (1.5) nominal wall thickness. Caulking surfaces provided.
<b>Blades</b>	6063T6 extruded aluminum with .060" (1.5) nominal wall thickness. Blades are positioned at 45° angle and spaced approximately 3 3/16" (81) center to center.
<b>Screen</b>	3/4" x .051" (19 x 1.3) expanded, flattened aluminum bird screen in removable frame. Screen adds approximately 1/2" (13) to louver depth.
<b>Finish</b>	Mill.
<b>Minimum Size</b>	6"w x 10"h (152 x 254).
<b>Approximate Shipping Weight</b>	2 lbs. per sq. ft. (9.8 kg/m <sup>2</sup> ).
<b>Maximum Size</b>	Shall be 75 sq. ft. (7m <sup>2</sup> ) per section, not to exceed 120"w x 90"h (3048 x 2286) or 90"w x 120"h (2286 x 3048). Louvers larger than the maximum factory assembly size will require field assembly of smaller sections.
<b>Supports</b>	Louvers may be provided with rear mounted blade supports that increase overall louver depth depending on louver size, assembly configuration or windload.

Consult Reliable for additional information.

### FEATURES

- 42% Free Area
- Published performance ratings based on testing in accordance with AMCA Standard 500
- Aluminum construction for low maintenance and high resistance to corrosion



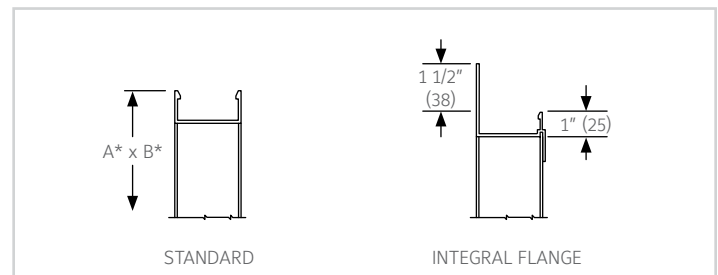
### VARIATIONS

Variations to the basic design of the louver are available at additional cost. They include:

- Extended sill
- Hinged frame
- Front or rear security bars
- Filter racks
- Blank off panels
- Universal sleeve
- Installation angles
- A variety of bird and insect screens
- Optional finishes available at additional cost: Prime coat, 50% PVDF (modified fluoropolymer), Epoxy, Pearledize, 70% PVDF, Clear and Anodized finishes. (Some variation in anodize color consistency is possible)

Consult Reliable for other special requirements.

### FRAME CONSTRUCTION



Note:

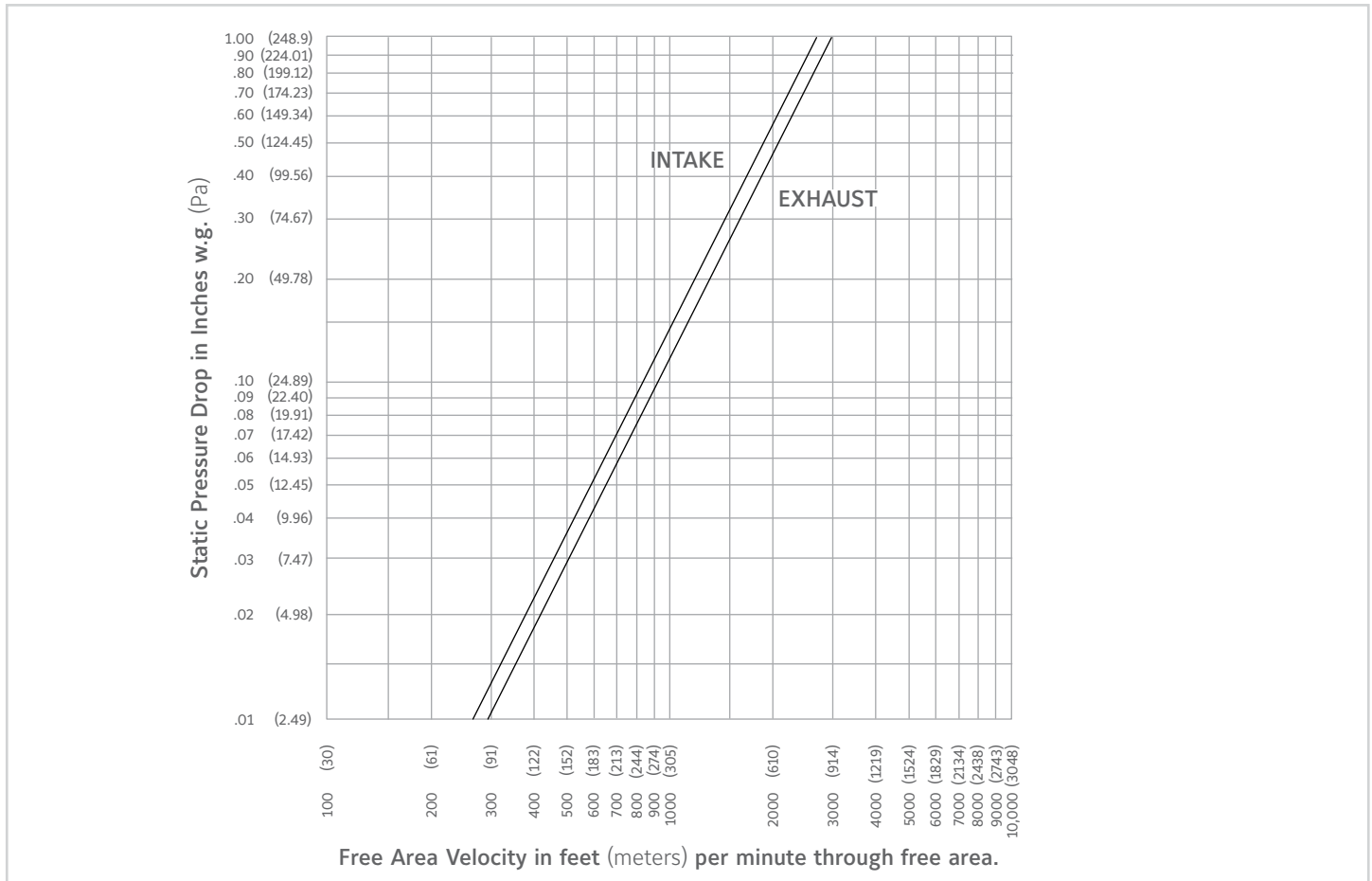
- Dimensions in inches, parenthesis ( ) indicate millimeters.
- Units can be furnished actual size or with size deducts.

## FREE AREA GUIDE

Free Area Guide shows free area in ft<sup>2</sup> and m<sup>2</sup> for various sizes of 245RB.

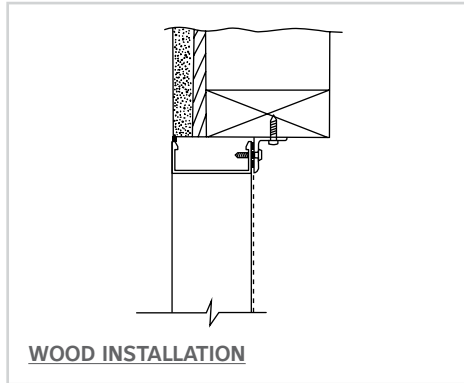
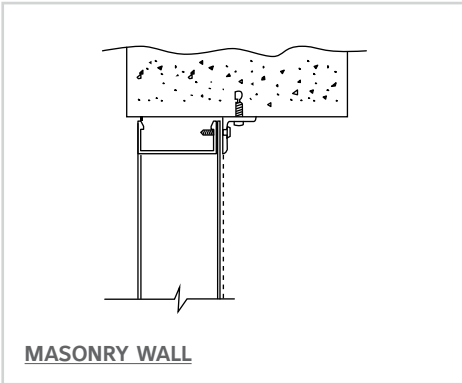
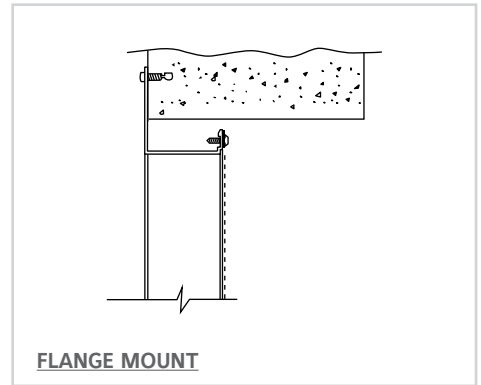
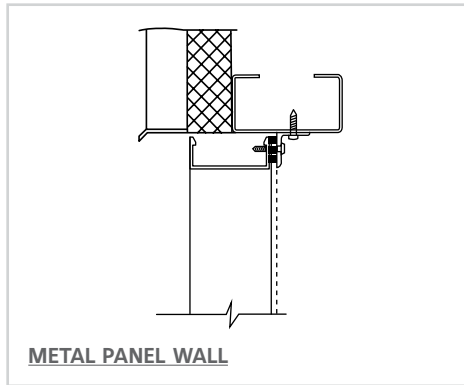
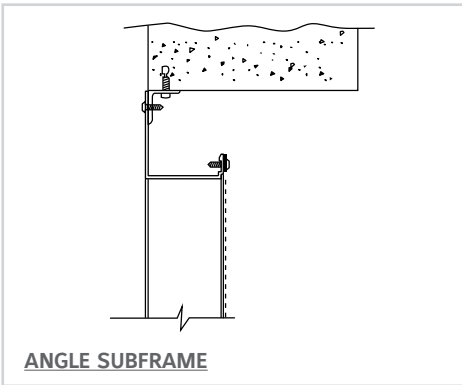
		Width - Inches and Meters									
		12	18	24	30	36	42	48	54	60	
Height - Inches and Meters	12	0.26	0.41	0.56	0.71	0.86	1.01	1.16	1.31	1.46	
	0.30	0.02	0.04	0.05	0.07	0.08	0.09	0.11	0.12	0.14	
	18	0.45	0.71	0.96	1.22	1.48	1.73	1.99	2.25	2.50	
	0.46	0.04	0.07	0.09	0.11	0.14	0.16	0.19	0.21	0.23	
	24	0.76	1.20	1.63	2.07	2.50	2.94	3.37	3.81	4.24	
	0.61	0.07	0.11	0.15	0.19	0.23	0.27	0.31	0.35	0.39	
	30	0.95	1.49	2.03	2.57	3.12	3.66	4.20	4.74	5.29	
	0.76	0.09	0.14	0.19	0.24	0.29	0.34	0.39	0.44	0.49	
	36	1.14	1.78	2.43	3.08	3.73	4.38	5.03	5.68	6.33	
	0.91	0.11	0.17	0.23	0.29	0.35	0.41	0.47	0.53	0.59	
	42	1.32	2.08	2.83	3.59	4.35	5.10	5.86	6.61	7.37	
	1.07	0.05	0.08	0.11	0.14	0.17	0.20	0.23	0.26	0.29	
48	1.51	2.37	3.23	4.10	4.96	5.82	6.69	7.55	8.41		
1.22	0.14	0.22	0.30	0.38	0.46	0.54	0.62	0.70	0.78		
54	1.70	2.67	3.64	4.60	5.57	6.54	7.51	8.48	9.45		
1.37	0.16	0.25	0.34	0.43	0.52	0.61	0.70	0.79	0.88		
60	1.88	2.96	4.04	5.11	6.19	7.26	8.34	9.42	10.49		
1.52	0.18	0.28	0.38	0.48	0.58	0.68	0.78	0.88	0.98		
66	2.20	3.45	4.71	5.96	7.21	8.47	9.72	10.98	12.23		
1.68	0.20	0.32	0.44	0.55	0.67	0.79	0.90	1.02	1.14		
72	2.38	3.74	5.11	6.47	7.83	9.19	10.55	11.91	13.27		
1.83	0.22	0.35	0.47	0.60	0.73	0.85	0.98	1.11	1.23		

## PRESSURE DROP

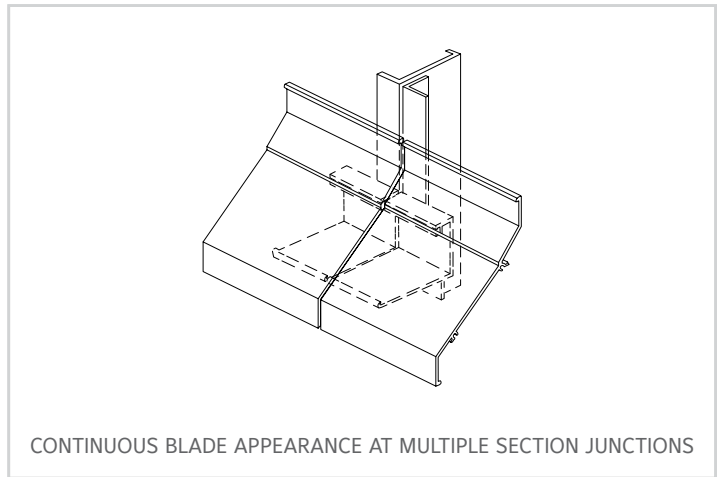
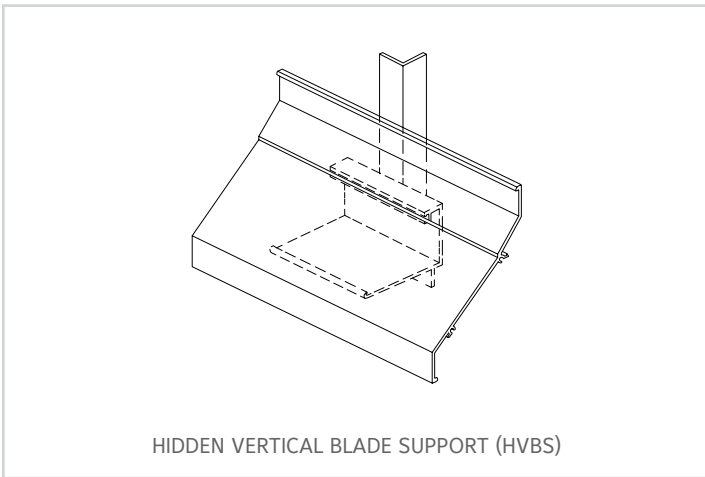




## TYPICAL INSTALLATION DETAILS



## STANDARD CONSTRUCTION DETAILS





## SUGGESTED SPECIFICATION

Furnish and install louvers as hereinafter specified where shown on plans or as described in schedules. Louvers shall be stationary double drainable type entirely contained within a 2" (51) frame. Louver shall include a drain gutter in each blade and downspouts in jambs and mullions. Louver components (heads, jambs, sills, blades & mullions) shall be factory assembled by the louver manufacturer. Louver sizes too large for shipping shall be built up by the contractor from factory assembled louver sections to provide overall sizes required. Louver design shall limit span between visible mullions to 10 feet (3048) and shall incorporate structural supports required to withstand a wind load of 30 psf (1.44 kPa) equivalent of a 110 mph [177 KPH] wind. Specifier may substitute any loading required).

Louvers shall be Reliable Model 245RB extruded 6063T6 aluminum construction as follows:

Frame: .060" (1.5) wall thickness.

Blades: .060" (1.5) wall thickness at 45° angle and spaced approximately 3 3/16" (81) center to center.

Screen: 3/4" x .051" (19 x 3) expanded, flattened aluminum in removable frame.

Finish: Select finish specification from Reliable Finishes Brochure.

Published louver performance data bearing the AMCA Certified Ratings Seal for Air Performance & Water Penetration must be submitted for approval prior to fabrication and must demonstrate pressure drop and water penetration equal to or less than the Reliable model specified.

### LINKS TO IMPORTANT DOCUMENTS

Document Title
Finishes and Color Guide
Limited Warranty Document



1300 Enterprise Road, P.O. Box  
580, Geneva, Alabama 36340  
Tel: 334-684-3621  
Tel: 800-624-3914  
Fax: 800-508-1469