

MODEL No. 2001
SLOT DIFFUSER PLENUM

SPECIFICATION DATA SHEET
Date: 03/19/02 rev. Drawn by: M.D.C.

6390 Phillips Highway
Jacksonville, FL 32216
Phone (904) 737-7144



DIMENSIONAL DATA

LENGTH: AS REQUIRED
MAXIMUM 72" PER SECTION
HEIGHT: 10" STANDARD
(OTHER UPON REQUEST)
"X" DIMENSION: AS REQUIRED
"Y" DIMENSION:
"X" PLUS 2" WITH R-4 INTERNAL INSULATION
"X" PLUS 3" WITH R-6 INTERNAL INSULATION
COLLAR: 2" LONG

FABRICATION DATA

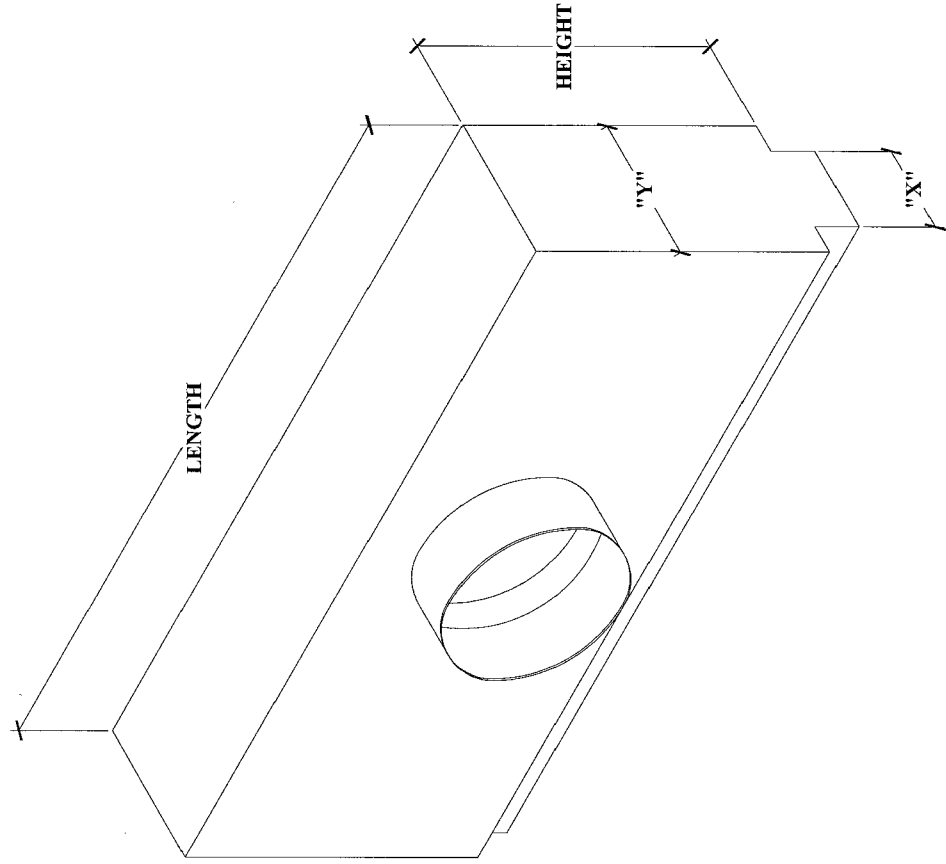
MATERIAL:
HOT DIPPED GALVANIZED STEEL SHEET
PER ASTM-A653 CS TYPE B.
26 GAUGE STANDARD.

FEATURES

END TREATMENTS VARY WITH DIFFUSER
ATTACHMENT REQUIREMENTS.
COLLAR SIZES 4" THRU 9" DIAMETER TO BE
ROUND.
COLLAR SIZES 10" DIAMETER AND GREATER
TO BE OVAL.
1" THICK R-4 INTERNAL INSULATION STANDARD.

OPTIONS

TOP ENTRY COLLAR (SIDE ENTRY COLLAR
SHOWN)
NO INTERNAL INSULATION.
1/2" THICK INTERNAL INSULATION.
1-1/2" THICK R-6 INTERNAL INSULATION.



SPECIAL NOTES