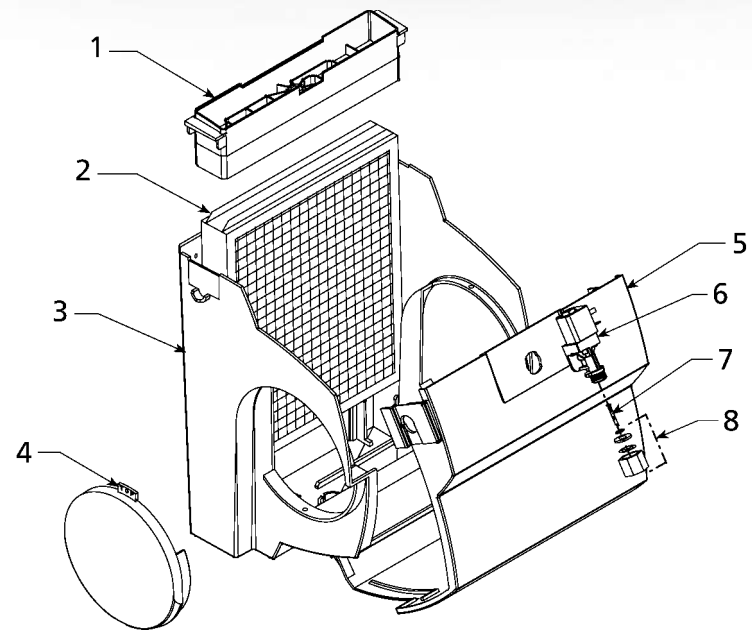


Humidifier Replacement Parts

Parts Price Schedule



SL16 Series



Item	Qty. Req'd	GFI Number	Description of Part	LIST / RETAIL
				PRICE EACH
1	1	7600	16-4 Distributor Trough	\$24.00
2	1	7002	990-13 Evaporator Pad	\$20.97
3	1	7601	16-1 Humidifier Cabinet	\$63.70
4	1	7602	16-5 Bypass Cover	\$11.25
5	1	7603	16-2 Front Cover	\$44.50
6	1	7604	16-20 Solenoid Valve Assembly	\$62.11
7	1	7605	16-12 Strainer Screen	\$3.29
8	1	7606	P236 Solenoid Fitting Hardware Kit Includes: P238 O-Ring P233 Fitting Nut P234 Fitting Spacer P235 Fitting Grab Ring	\$6.67

Item	Qty. Req'd	GFI Number	Description of Part	LIST / RETAIL
				PRICE EACH
PARTS NOT SHOWN				
	1	7162	P163 Hose Clamp	\$.75
	1	8022	800-UST Self Tapping Saddle Valve Kit	\$11.00
	1	7607	16-21 Humidistat	\$26.87
	1	7609	16-29 Humidistat Housing Kit	\$15.13
	1	7118	727-58 24V Transformer (12VA)	\$22.00
	1	7608	16-16 Parts Bag	\$11.25
	1	7078	747-38 Water Supply Tubing Kit	\$11.00
	1	7046	1099-16 Drain Tubing (15' of 5/8" I.D.)	\$20.00
	1	7127	727-48 Lead Wire Ass'y (10' of Low Voltage Wire w/Terminals)	\$8.82
	1	7021	12500 Air Pressure Switch	\$60.97

Humidifier Replacement Parts

2% 10th Prox. Net 30 Days. F.O.B. Novi, Michigan

General Filters Inc. 43800 Grand River Novi, Michigan 48375-1115 Toll Free (866) 476-5101 Fax (248) 349-2366
www.GeneralAire.com