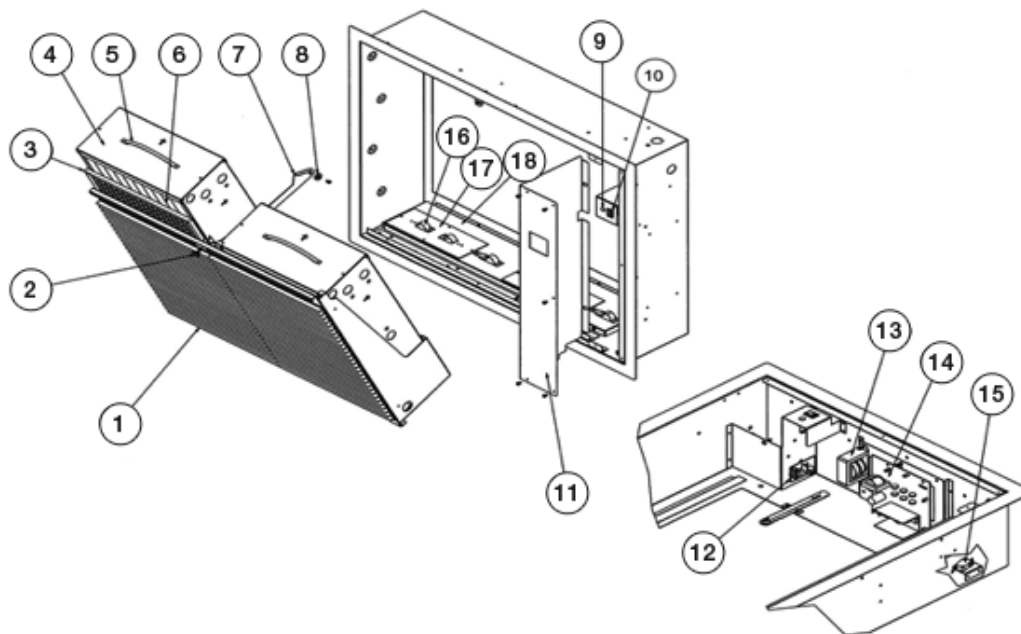


Electronic Air Cleaners Replacement Parts

Parts Price Schedule



Model GA52F32



ITEM NO.	Qty. Req'd	GFI NUMBER	Description of Part	LIST / RETAIL
				PRICE EACH
1	6	4778	G8-0619 PLASTIC GRATE (EACGM-01)	\$54.33
2	1	4779	79-0618 THUMB SCREW (EACGM-02)	\$21.95
3	2	4783	G8-0885 PREFILTER (EACGM-03)	\$32.39
4	2	4781	G8-0400 COLLECTING CELL(EACGM-04)	\$481.45
5	2	4760	R1-0484 CELL HANDLE (EAC14-16)	\$21.95
6	2	4771	R2-0443-1 IONIZING WIRE w/ SPRING AND HOOK (EACGM-06)	\$39.84
7	1	4784	G8-0633 DOOR LINK (EACGM-07)	\$81.69
8	1	4786	G8-0634 DOOR LINK BUSHING AND SCREW (EACGM-08)	\$39.87
9	1	4787	C5-0223 SWITCH - ON/OFF (EACGM-09)	\$31.98
10	1	4788	58-0123 INDICATOR LIGHT (EACGM-10)	\$34.14
11	1	4789	G8-0610 POWER COMPARTMENT COVER (EACGM-11)	\$308.68
12	1	4785	G8-0217 AIR PROVING SWITCH (EACGM-12)	\$81.61
13	1	4790	R2-053D TRANSFORMER - 24V (EACGM-13)	\$56.95
14	1	4749	R2-055D POWER CONTROL BOARD (EACGM-14)	\$332.26
15	1	4751	R1-0202 SWITCH - SAFETY INTERLOCK (EAC14-02)	\$27.56
16	6	4755	R1-9925 CONTACT (EAC14-08)	\$21.95
17	2	4791	G8-0521 CONTACT ASSEMBLY (EACGM-17)	\$51.10
18	1	4792	G8-0522 CONTACT TRAY (EACGM-18)	\$108.87
19	1	4793	EACGM-19 LABEL - IMPORTANT	\$15.97
20	-	4746	9900 DAX DETERGENT	\$23.55

Electronic Air Cleaners Replacement Parts

2% 10th Prox. Net 30 Days. F.O.B. Novi, Michigan

General Filters Inc. 43800 Grand River Novi, Michigan 48375-1115 Toll Free (866) 476-5101 Fax (248) 349-2366
www.GeneralAir.com