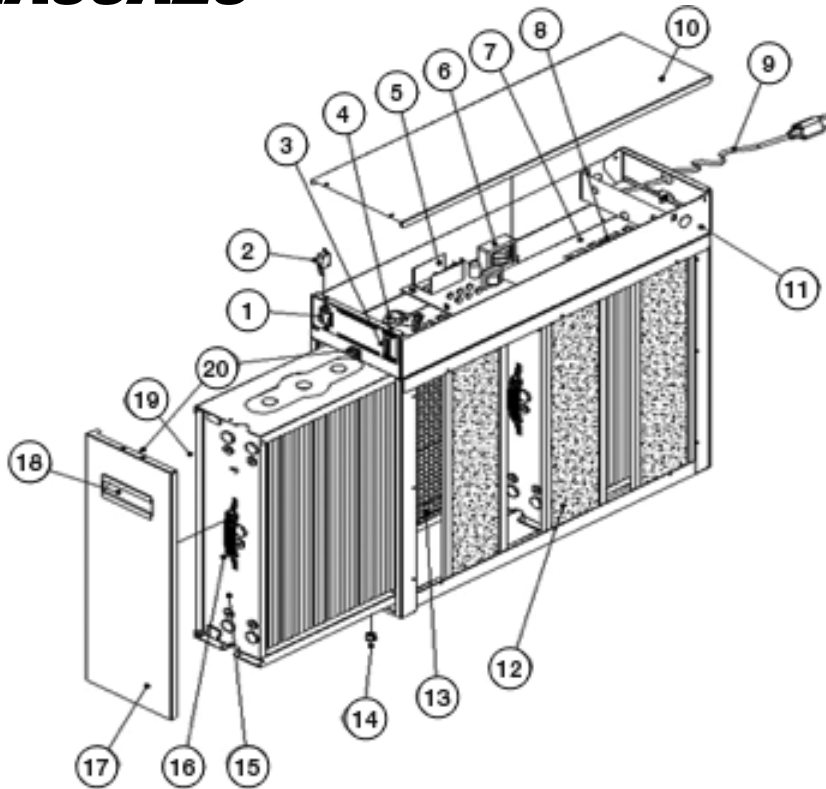


Model GA50A20



ITEM NO.	Qty. Req'd	GFI NUMBER	Description of Part	LIST / RETAIL PRICE EACH
1	1	4750	R1-0205 SWITCH - ON/OFF (EAC14-01)	\$34.20
2	1	4751	R1-0202 SWITCH - SAFETY INTERLOCK (EAC14-02)	\$27.56
3	1	4752	R1-0123 INDICATOR LIGHT (EAC14-03)	\$34.14
4	1	4745	D1-0217 AIR PROVING SWITCH (EAC14-04)	\$81.61
5	1	4753	D1-053D TRANSFORMER - 24V (EAC14-05)	\$57.79
6	1	4747	D2-055D POWER CONTROL BOARD (EAC20-06)	\$332.26
7	1	4772	D8-0521 CONTACT ASSEMBLY (EAC20-07)	\$69.74
8	4	4755	R1-9925 CONTACT (EAC14-08)	\$21.95
9	1	4756	R1-062D CORD ASSEMBLY (OPTIONAL) (EAC14-09)	\$57.79
10	1	4757	D1-0509 LID - POWER BOX (EAC14-10)	\$129.48
11	1	4776	D8-0501 POWER BOX - COMPLETE (EAC20-11)	\$601.40
12	1	4744	1856-3 CARBON FILTERS (SET OF 3) (EAC20-12)	\$59.24
13	2	4743	R8-0855 PREFILTER (EAC20-13)	\$32.39
14	1	4759	R1-0603 CELL GUIDE - PLASTIC (EAC14-14)	\$21.95
15	2	4742	D8-0400 COLLECTING CELL (EAC20-15)	\$481.45
16	2	4760	R1-0484 CELL HANDLE (EAC14-16)	\$21.95
17	1	4777	D2-0632 COVER ASSEMBLY (EAC20-17)	\$248.95
18	1	4767	R1-0634 HANDLE (EAC14-18)	\$21.95
19	1	4741	D2-0443 IONIZING WIRE w/ SPRING AND HOOK (EAC20-19)	\$39.84
20	1	4768	R1-0636 CLIP SET (EAC14-20)	\$23.51
21	1	4769	EAC14-21 LABEL - IMPORTANT	\$15.97
22	1	4770	EAC14-22 LABEL - CLEANING	\$15.97
23	-	4746	9900 DAX DETERGENT	\$23.55

2% 10th Prox. Net 30 Days. F.O.B. Novi, Michigan

Electronic Air Cleaners Replacement Parts