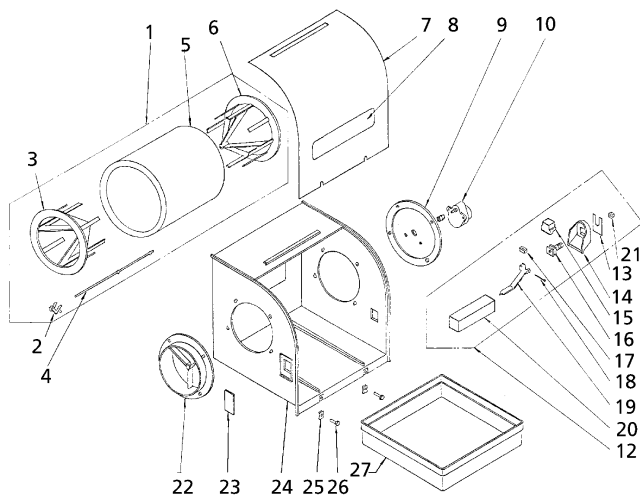


Model 65



Item	Qty. Req'd	GFI Number	Description of Part	LIST / RETAIL
				PRICE EACH
1	1	7302	12853 Drum assembly	\$27.66
2	1	7157	P188 Retainer clip	\$1.33
3	1	7305	12855 Open drum end	\$6.33
4	1	7306	12856 Drum shaft	\$6.83
5	1	7312	65-5 Evaporator sleeve 7"W	\$13.87
6	1	7304	12854 Closed drum end	\$6.33
7	1	7307	12859 Cover assembly (incl. window)	\$33.50
8	1	7308	12861 Window	\$4.50
9	1	7301	12852 Motor mounting plate	\$17.15
10	1	7113	727-40 Motor assembly	\$43.01
12		7096	81-21 Float valve assembly	\$25.56
13	1	7076	747-11 Valve washer	\$.90
14	1	7123	727-8 Splash guard	\$2.00
15	1	6005	975-6 Valve shield	\$.99
16	1	7122	727-24 Orifice fitting	\$6.50
17	1	6004	975-1 Valve seat	\$.50
18	1	6026	P118 Cotter pin	\$.95
19	1	7097	81-11 Float arm	\$4.50
20	1	7098	81-12 Float	\$9.00
21	1	6001	975-3 Orifice nut	\$.75
22	1	7309	12851 By-pass collar	\$17.50
23	1	7126	81-14 Valve hole cover	\$3.33
24	1	7300	12849 Humidifier cabinet	\$137.33
25	2	7140	40-7 Speed nut	\$.66
26	2	7095	81-13 Thumb screw	\$2.66
27	1	7310	12857 Water pan	\$16.15
PARTS NOT SHOWN				
	1	7311	12863 5" by-pass tube assembly	\$23.15
	1	7118	727-58 24V transformer (12VA)	\$22.00
	1	8022	800-UST Self-tapping saddle valve kit	\$11.00
	1	7078	747-38 Water supply tubing kit	\$11.00
	1	7015	M3 Humidistat	\$42.00
		8035	8035 Humidex tablets	\$12.00

2% 10th Prox. Net 30 Days. F.O.B. Novi, Michigan