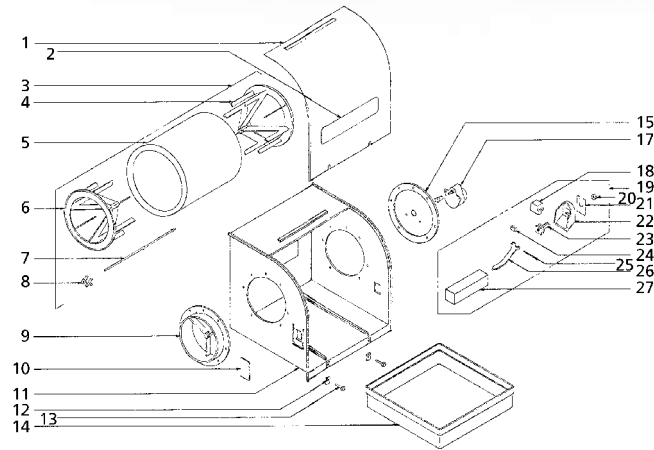


Humidifier Replacement Parts

Parts Price Schedule



Model 81



Item	Qty. Req'd	GFI Number	Description of Part	LIST / RETAIL PRICE EACH
1	1	7093	81-28-GF Cover assembly (incl. window)	\$45.66
2	1	7094	81-7 Window	\$5.33
3	1	7104	81-22 Drum assembly	\$36.00
4	1	7101	81-8 Drum end - closed	\$7.00
5	1	7099	81-15 Evaporator sleeve 7 1/2"W	\$15.47
6	1	7102	81-9 Drum end - open	\$7.00
7	1	7103	81-10 Drum shaft	\$7.33
8	1	7157	P188 Retainer clip	\$1.33
9	1	7091	81-3 By-pass collar	\$17.00
10	1	7126	81-14 Valve hole cover	\$3.33
11	1	7089	81-1 Humidifier cabinet	\$150.00
12	2	7140	40-7 Speed nut	\$.66
13	2	7095	81-13 Thumb screw	\$2.66
14	1	7092	81-4 Water pan	\$15.33
15	1	7090	81-2 Motor mounting plate	\$18.50
17	1	7113	727-40 Motor assembly	\$43.01
18	1	7096	81-21 Float valve assembly	\$25.56
19	1	6005	975-6 Valve shield	\$.99
20	1	6001	975-3 Orifice nut	\$.75
21	1	7076	747-11 Valve washer	\$.90
22	1	7123	727-8 Splash guard	\$2.00
23	1	7122	727-24 Orifice fitting	\$6.50
24	1	6004	975-1 Valve seat	\$.50
25	1	6026	P118 Cotter pin	\$.95
26	1	7097	81-11 Float arm	\$4.50
27	1	7098	81-12 Float	\$9.00
PARTS NOT SHOWN				
	1	7109	727-46 6" by-pass tube assembly	\$21.50
	1	7118	727-58 24V transformer (12VA)	\$22.00
	1	8022	800-UST Self-tapping saddle valve kit	\$11.00
	1	7078	747-38 Water supply tubing kit	\$11.00
	1	7015	M3 Humidistat	\$42.00
		8035	8035 Humidex tablets	\$12.00

Humidifier Replacement Parts

2% 10th Prox. Net 30 Days. F.O.B. Novi, Michigan

General Filters Inc. 43800 Grand River Novi, Michigan 48375-1115 Toll Free (866) 476-5101 Fax (248) 349-2366
www.GeneralAire.com